



Features and Benefits

Center frequency: 1030MHz
I.L: 4dB Max.
Operating temperature: -20°C to +60°C
Size: 3x3x1.4mm
Package type: Surface Mount

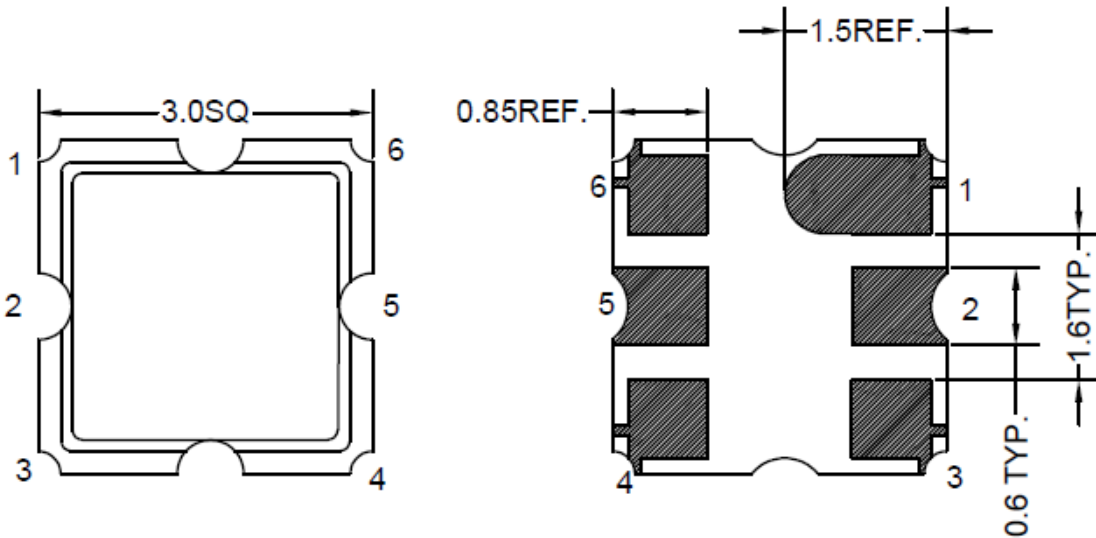


Typical Applications

IOT
Cellular
Telecom
4G/LTE
Wireless Communication
WLAN
Base Station
Radar

Mechanical Drawing & Pin Connections

Drawing No: MD240080-1



PIN	Function
#2	INPUT
#5	OUTPUT
Others	GND

Unit in mm
1mm = 0.0394 inches
Not Specified Tolerance: ±0.2mm



Specifications

Parameter	Min.	Typical	Max.	Units
Center Frequency Fc		1030		MHz
Insertion Loss (1029~1031 MHz) IL		3	4	dB
VSWR (1029~1031 MHz)		1.5	2	
Amplitude ripple (1029~1031 MHz)		0.5	1.2	dB
Attenuation				
1024.5~1035.5 MHz	4	5		dB
1020~1041 MHz	25	30		dB
1015~1045 MHz	35	40		dB
1005~1055 MHz	45	50		dB
990~1070 MHz	50	55		dB
Temperature coefficient		-36		ppm/°C
In/Out Impedance (Single)		50		ohm
Input Power Level		20		dBm
DC Voltage		6		V
Operating Temperature Range	-20		+60	°C
Storage Temperature Range	-40		+85	°C
Moisture Sensitive Level (MSL)	Level 1			