



Features and Benefits

- Center frequency: 1030MHz
- I.L: 4.6dB Max.
- Operating temperature: -40°C to +85°C
- Size: 3x3x1.4mm
- Package type: Surface Mount

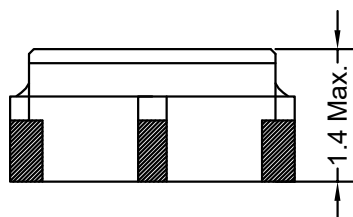
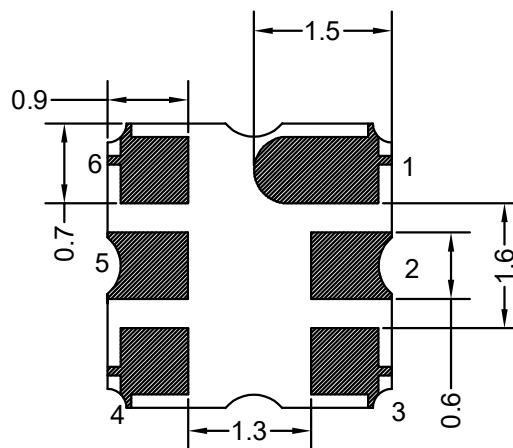
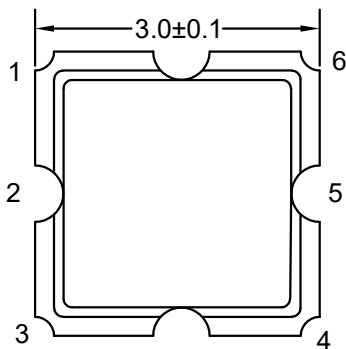


Typical Applications

- IOT
- Cellular
- Telecom
- 4G/LTE
- Wireless Communication
- WLAN
- Base Station
- Radar

Mechanical Drawing & Pin Connections

Drawing No: MD250009-1



PIN	Function
#2	INPUT
#5	OUTPUT
Others	GND

Unit in mm

1mm = 0.0394 inches

Not Specified Tolerance: ±0.2mm



Specifications

Parameter	Min.	Typical	Max.	Units
Center Frequency Fc		1030		MHz
Insertion Loss (1029~1031 MHz) IL		3	4.6	dB
Amplitude Ripple (1029~1031 MHz)		0.5	F ₁₁	dB
VSWR (1029~1031 MHz)		F.5	G	
Attenuation				
1024.5 ~ 1035.5 MHz 23~ 27°C	4	5		dB
1020 ~ 1041 MHz 23~ 27°C	25	30		dB
1015 ~ 1045 MHz 23~ 27°C	35	40		dB
1005 ~ 1055 MHz	45	50		dB
990 ~ 1070 MHz	50	55		dB
Temperature Coefficient		-36		ppm/°C
Terminating load/ source impedance (single)		50		ohm
Input Power Level			20	dBm
DC Voltage			6	V
Operating Temperature Range	-40		+85	°C
Storage Temperature Range	-40		+85	°C
Moisture Sensitive Level (MSL)	Level 1			

Electrostatic Sensitive Device (ESD)

Lead Free

RoHS Compliant