



Features and Benefits

Center frequency: 1056MHz
I.L: 3.8dB Max.
Operating temperature: -55°C to +100°C
Size: 3x3x1.4mm
Package type: Surface Mount

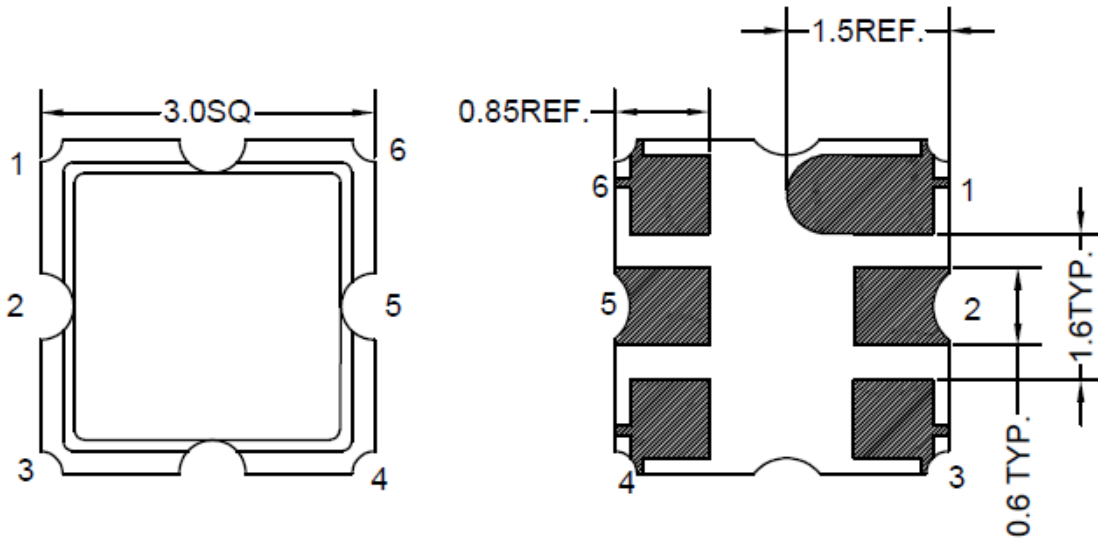


Typical Applications

IOT
Cellular
Telecom
4G/LTE
Wireless Communication
WLAN
Base Station
Radar

Mechanical Drawing & Pin Connections

Drawing No: MD240080-1



PIN	Function
#2	INPUT
#5	OUTPUT
Others	GND

Unit in mm
1mm = 0.0394 inches
Not Specified Tolerance: ±0.2mm



Specifications

Parameter	Min.	Typical	Max.	Units
Center Frequency Fc		1056		MHz
Insertion Loss (1041~1071 MHz) IL		2.6	3.8	dB
Amplitude Ripple (1041~1071 MHz)		0.8	2	dB
VSWR (1041~1071 MHz)		1.9	2.4	
Attenuation (Reference level from 0 dB)				
Fc - 50 MHz	36	42		dB
Fc + 50 MHz	22	34		dB
Fc + 90 MHz	38	46		dB
Temperature Coefficient of Frequency		-36		ppm/°C
Input Power Level		10		dBm
DC Voltage		0		V
Operating Temperature Range	-55		+100	°C
Storage Temperature Range	-55		+105	°C
Moisture Sensitivity Level	Level 1(MSL1)			