



Features and Benefits

Center frequency: 1059MHz
I.L: 3dB Max.
Operating temperature: -40°C to +85°C
Size: 3x3x1.4mm
Package type: Surface Mount

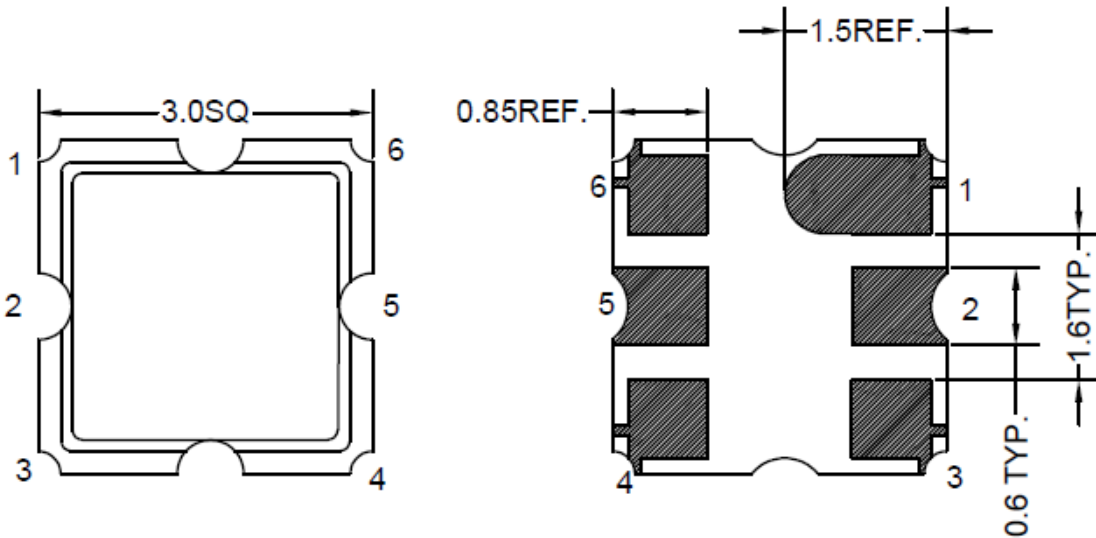


Typical Applications

IOT
Cellular
Telecom
4G/LTE
Wireless Communication
WLAN
Base Station
Radar

Mechanical Drawing & Pin Connections

Drawing No: MD240080-1



| PIN | Function |
|--------|----------|
| #2 | INPUT |
| #5 | OUTPUT |
| Others | GND |

Unit in mm
1mm = 0.0394 inches
Not Specified Tolerance: ±0.2mm



Specifications

| Parameter | Min. | Typical | Max. | Units |
|-----------------------------------------|------|---------|------|--------|
| Center Frequency Fc | | 1059 | | MHz |
| Insertion Loss (1051~1067 MHz) IL | | 1.7 | 3 | dB |
| Amplitude Ripple (1051~1067 MHz) | | 0.65 | 2 | dB |
| Amplitude Ripple over 3 MHz | | 0.5 | 1 | dB |
| VSWR (1051~1067 MHz) | | 1.7 | 2.4 | |
| Group Delay Variation over 3 MHz | | 7 | 20 | ns |
| Attenuation (Reference level from 0 dB) | | | | |
| DC~1030 MHz | 30 | 35.5 | | dB |
| 1030~1034 MHz | 15 | 24 | | dB |
| 1084~1088 MHz | 15 | 37 | | dB |
| 1088~2000 MHz | 30 | 37 | | dB |
| Temperature Coefficient of Frequency | | -36 | | ppm/°C |
| In/Out Impedance (Single) | | 50 | | ohm |
| Input Power Level | | 10 | | dBm |
| DC Voltage | | 3 | | V |
| Operating Temperature Range | -40 | | +85 | °C |
| Storage Temperature Range | -40 | | +85 | °C |