



### Features and Benefits

Center frequency: 1095MHz  
I.L: 4.2dB Max.  
Operating temperature: -55°C to +85°C  
Size: 3x3x1.4mm  
Package type: Surface Mount

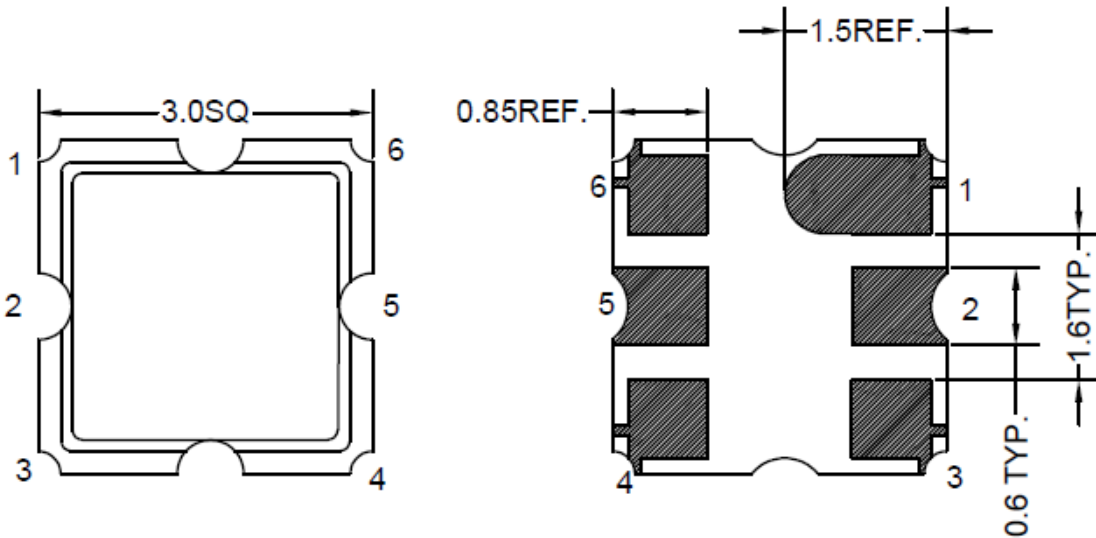


### Typical Applications

IOT  
Cellular  
Telecom  
4G/LTE  
Wireless Communication  
WLAN  
Base Station  
Radar

### Mechanical Drawing & Pin Connections

Drawing No: MD240080-1



PIN	Function
#2	INPUT
#5	OUTPUT
Others	GND

Unit in mm  
1mm = 0.0394 inches  
Not Specified Tolerance: ±0.2mm



## Specifications

Parameter	Min.	Typical	Max.	Units
Center Frequency Fc		1095		MHz
Insertion Loss (1073~1117 MHz) IL		3.8	4.2	dB
Amplitude Ripple (1073~1117 MHz)		0.6	1.5	dB
VSWR (1073~1117 MHz)		1.4	2.4	
Attenuation (Reference level from 0 dB)				
10 ~ 975 MHz	23	29		dB
1160 ~ 1200 MHz	10	15		dB
1260 ~ 1460 MHz	25	33		dB
Temperature Coefficient of Frequency		-80		ppm/°C
Input Power Level		10		dBm
DC Voltage		3		V
Operating Temperature Range	-55		+85	°C
Storage Temperature Range	-55		+85	°C