



Features and Benefits

Center frequency: 1133MHz
I.L: 5dB Max.
Operating temperature: -55°C to +85°C
Size: 3x3x1.4mm
Package type: Surface Mount

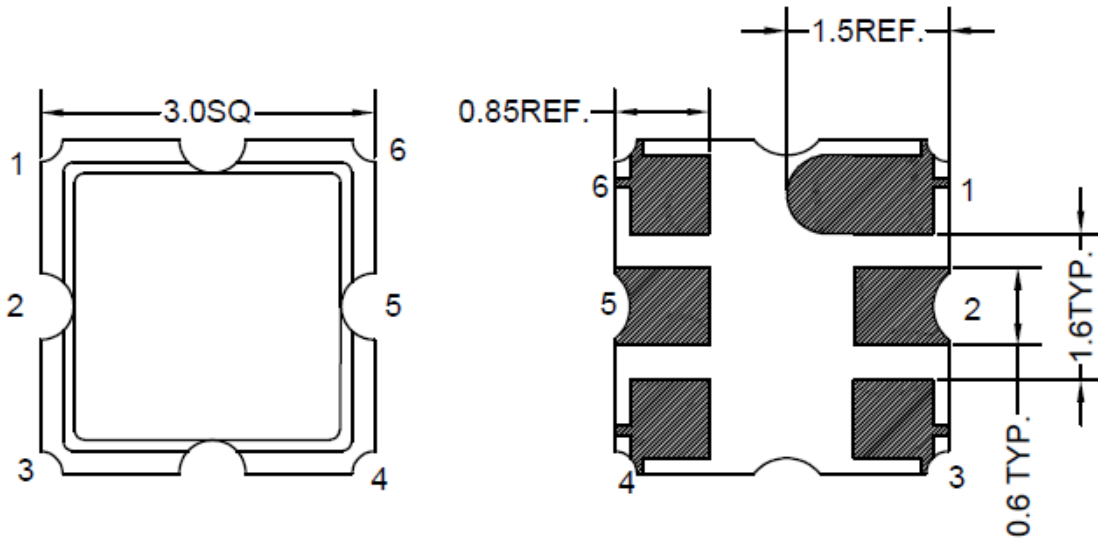


Typical Applications

IOT
Cellular
Telecom
4G/LTE
Wireless Communication
WLAN
Base Station
Radar

Mechanical Drawing & Pin Connections

Drawing No: MD240080-1



PIN	Function
#2	INPUT
#5	OUTPUT
Others	GND

Unit in mm
1mm = 0.0394 inches
Not Specified Tolerance: ±0.2mm



Specifications

Parameter	Min.	Typical	Max.	Units
Center Frequency Fc		1133		MHz
Insertion Loss (1115~1150 MHz) IL		3.4	5	dB
Amplitude Ripple (1115~1150 MHz)		1.4	2.2	dB
Amplitude Ripple over 3 MHz		0.3	1	dB
VSWR (1115~1150 MHz)		1.5	2.5	
Group Delay Variation over 3 MHz		5.5	20	ns
Attenuation (Reference level from 0 dB)				
DC~800 MHz	20	65		dB
800~900 MHz	25	64		dB
1180~1200 MHz	10	32		dB
1200~1300 MHz	30	40		dB
1450~1600 MHz	25	56		dB
Temperature Coefficient of Frequency		-36		ppm/°C
In/Out Impedance (Single)		50		ohm
Input Power Level		20		dBm
DC Voltage		3		V
Operating Temperature Range	-55		+85	°C
Storage Temperature Range	-55		+85	°C
Moisture Sensitivity Level	Level 1(MSL1)			