



Features and Benefits

Center frequency: 1702.5MHz
I.L: 3.0dB Max.
Operating temperature: -40°C to +85°C
Size: 3x3x1.4mm
Package type: Surface Mount

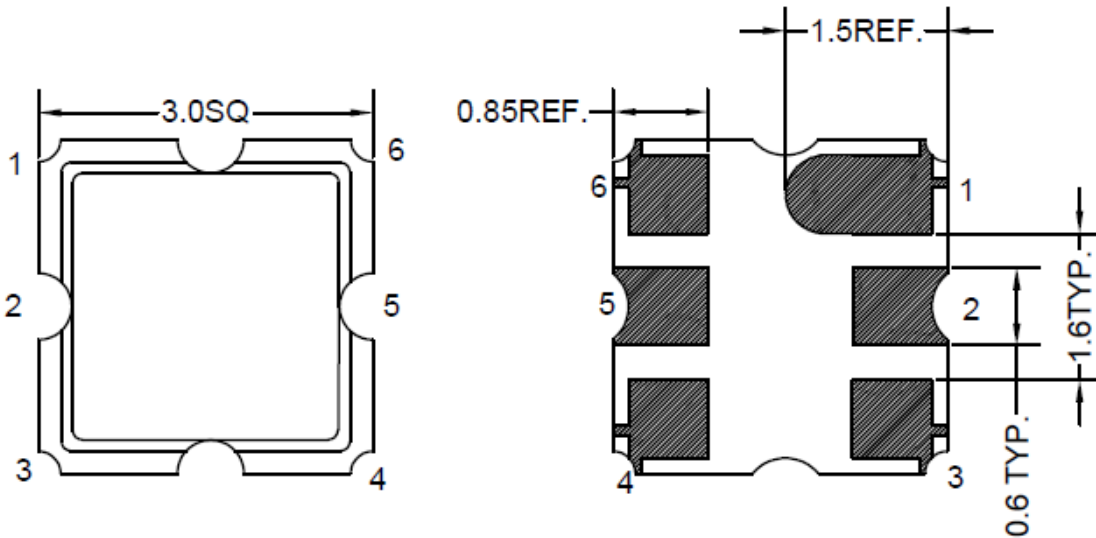


Typical Applications

IOT
Cellular
Telecom
4G/LTE
Wireless Communication
WLAN
Base Station
Radar

Mechanical Drawing & Pin Connections

Drawing No: MD240080-1



PIN	Function
#2	INPUT
#5	OUTPUT
Others	GND

Unit in mm

1mm = 0.0394 inches

Not Specified Tolerance: ±0.2mm



Specifications

Parameter		Min.	Typical	Max.	Units
Center Frequency	Fc		1702.5		MHz
Insertion Loss within (1695~1710 MHz)	IL		2.2	3.0	dB
Amplitude Variation (1695~1710 MHz)			0.3	1.0	dB(p-p)
Return Loss (1695~1710 MHz)		10	15		dB
Attenuation (Reference level from 0 dB)					
10~730	MHz	30	39		dB
770~1500	MHz	35	39		dB
1850~3960	MHz	20	34		dB
Temperature coefficient of frequency			-36		ppm/°C
Input Power Level			10		dBm
DC Voltage			3		V
Operating Temperature Range		-40		+85	°C
Storage Temperature Range		-40		+85	°C
Moisture Sensitivity Level		Level 1 (MSL 1)			