



Features and Benefits

Center frequency: 1755MHz
I.L: 3.0dB Max.
Operating temperature: -40°C to +85°C
Size: 3x3x1.4mm
Package type: Surface Mount

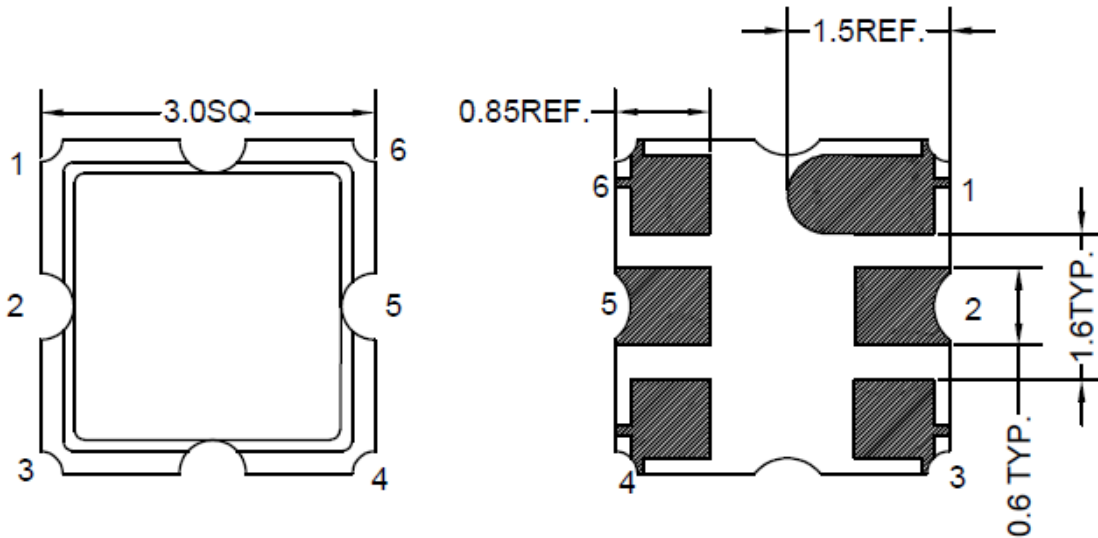


Typical Applications

IOT
Cellular
Telecom
4G/LTE
Wireless Communication
WLAN
Base Station
Radar

Mechanical Drawing & Pin Connections

Drawing No: MD240080-1



PIN	Function
#2	INPUT
#5	OUTPUT
Others	GND

Unit in mm
1mm = 0.0394 inches
Not Specified Tolerance: ±0.2mm



Specifications

Parameter	Min.	Typical	Max.	Units
Center Frequency Fc		1755		MHz
Insertion Loss (1735~1775 MHz) IL		2.0	3.0	dB
Amplitude Ripple (1735~1775 MHz)		1.0	1.8	dB
VSWR (1735~1775 MHz)		2.2	2.5	dB
Attenuation (Reference level from 0 dB)				
1340~1680 MHz	28	35		dB
1830~2170 MHz	35	45		dB
Temperature coefficient of frequency		-36		ppm/k
Input Power Level		10		dBm
DC Voltage		0		V
Operating Temperature Range	-40		+85	°C
Storage Temperature Range	-40		+85	°C