



Features and Benefits

Center frequency: 1760MHz
I.L: 4.0dB Max.
Operating temperature: -40°C to +85°C
Size: 3x3x1.4mm
Package type: Surface Mount

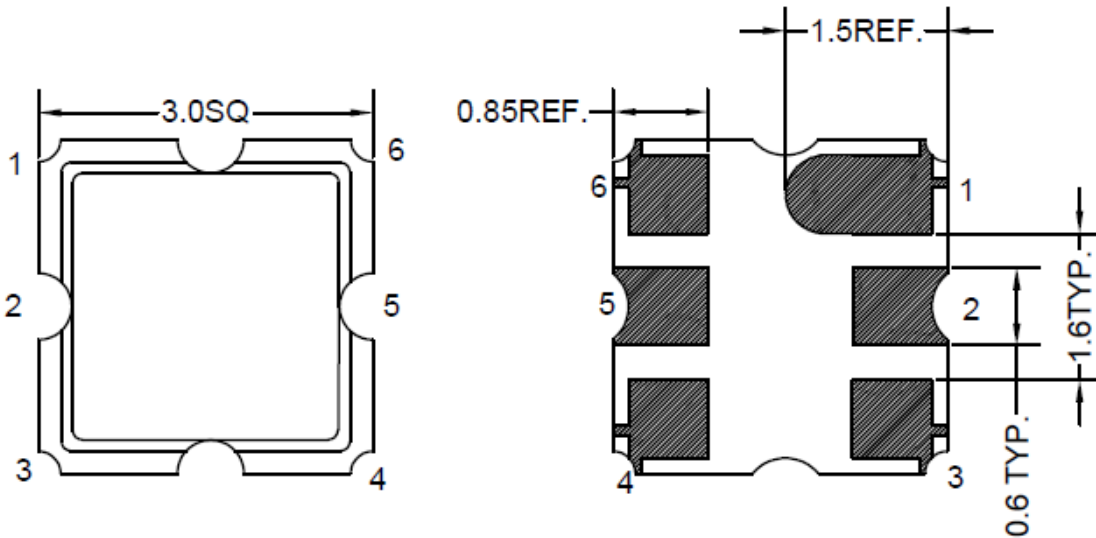


Typical Applications

IOT
Cellular
Telecom
4G/LTE
Wireless Communication
WLAN
Base Station
Radar

Mechanical Drawing & Pin Connections

Drawing No: MD240080-1



PIN	Function
#2	INPUT
#5	OUTPUT
Others	GND

Unit in mm

1mm = 0.0394 inches

Not Specified Tolerance: ±0.2mm



Specifications

Parameter		Min.	Typical	Max.	Units
Center Frequency	Fc		1760		MHz
Insertion Loss (1735~1785 MHz)	IL		2.4	4.0	dB
Amplitude Ripple (1735~1785 MHz)			1.3	3.0	dB
VSWR (1735~1785 MHz)			1.8	2.5	
Source Impedance (single ended)			50		Ω
Load Impedance (single ended)			50		Ω
Attenuation					
1805~1880	MHz	20	40		dB
Input Power Level			15		dBm
DC Voltage			3		V
Operating Temperature Range		-40		+85	$^{\circ}\text{C}$
Storage Temperature Range		-40		+85	$^{\circ}\text{C}$