



### Features and Benefits

Center frequency: 1802.5MHz  
I.L: 4.2dB Max.  
Operating temperature: -40°C to +85°C  
Size: 3x3x1.4mm  
Package type: Surface Mount

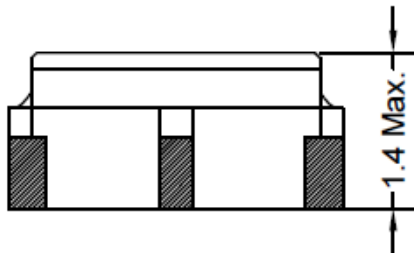
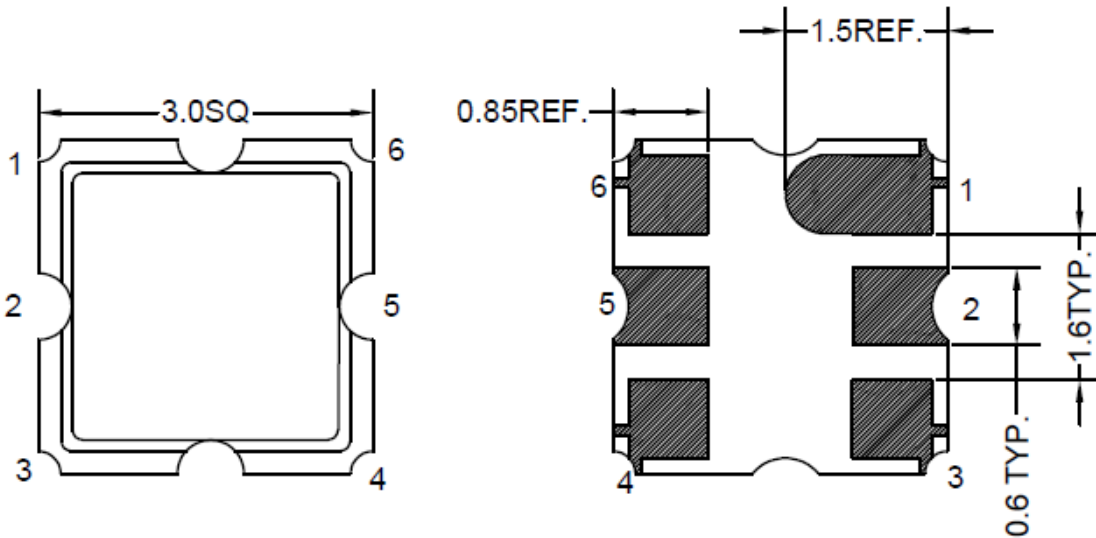


### Typical Applications

IOT  
Cellular  
Telecom  
4G/LTE  
Wireless Communication  
WLAN  
Base Station  
Radar

### Mechanical Drawing & Pin Connections

Drawing No: MD240080-1



PIN	Function
#2	INPUT
#5	OUTPUT
Others	GND

Unit in mm  
1mm = 0.0394 inches  
Not Specified Tolerance: ±0.2mm



### Specifications

Parameter	Min.	Typical	Max.	Units
Center Frequency Fc		1802.5		MHz
Insertion Loss (1755~1850 MHz) IL		3.4	4.2	dB
Amplitude Ripple (1755~1850 MHz)		0.8	1.5	dB
VSWR (1755~1850 MHz)		1.6	2.4	
Attenuation (Reference level from 0 dB)				
50~1380 MHz	25	30		dB
1380~1660 MHz	20	29		dB
1960~3000 MHz	25	33		dB
Temperature coefficient of frequency		-80		ppm/K
Input Power Level		10		dBm
DC Voltage		3		V
Operating Temperature Range	-40		+85	°C
Storage Temperature Range	-40		+85	°C
Moisture Sensitivity Level	Level 1 (MSL1)			