



### Features and Benefits

Center frequency: 1840MHz  
I.L: 3.0dB Max.  
Operating temperature: -40°C to +85°C  
Size: 3x3x1.4mm  
Package type: Surface Mount

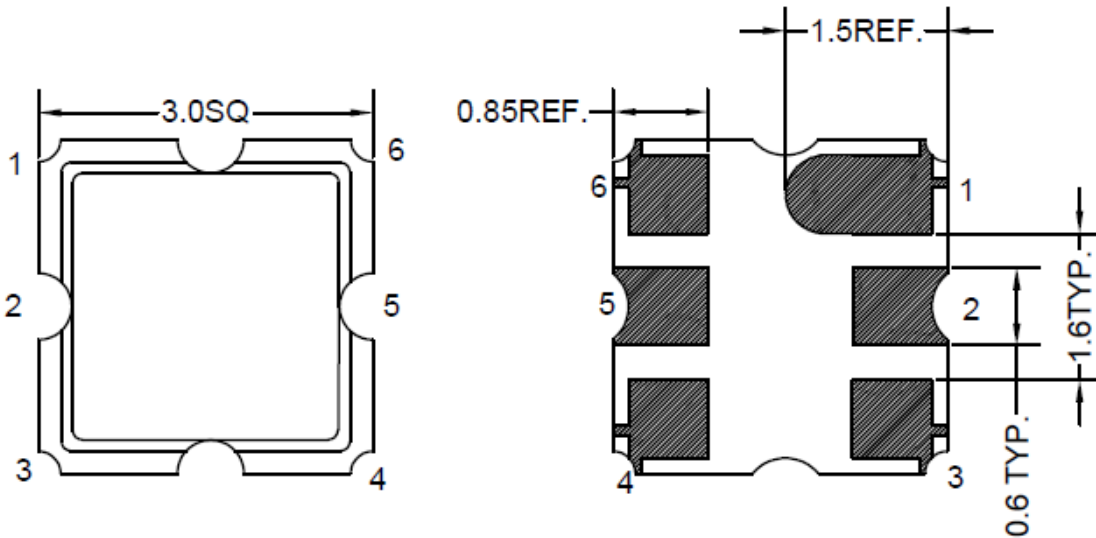


### Typical Applications

IOT  
Cellular  
Telecom  
4G/LTE  
Wireless Communication  
WLAN  
Base Station  
Radar

### Mechanical Drawing & Pin Connections

Drawing No: MD240080-1



PIN	Function
#2	INPUT
#5	OUTPUT
Others	GND

Unit in mm  
1mm = 0.0394 inches  
Not Specified Tolerance: ±0.2mm



### Specifications

Parameter	Min.	Typical	Max.	Units
Center Frequency Fc		1840		MHz
Insertion Loss (1830~1850 MHz) IL		1.8	3.0	dB
Amplitude Ripple (1830~1850 MHz)		0.4	1.8	dB
VSWR (1830~1850 MHz)		1.5	2.0	
Attenuation (Reference level from 0 dB)				
10~1750 MHz	28	35		dB
1950~2500 MHz	34	41		dB
Temperature coefficient of frequency		-36		ppm/k
Input Power Level		10		dBm
DC Voltage		3		V
Operating Temperature Range	-40		+85	°C
Storage Temperature Range	-40		+85	°C