



Features and Benefits

Center frequency: 1850MHz
I.L: 3.5dB Max.
Operating temperature: -40°C to +85°C
Size: 3x3x1.4mm
Package type: Surface Mount

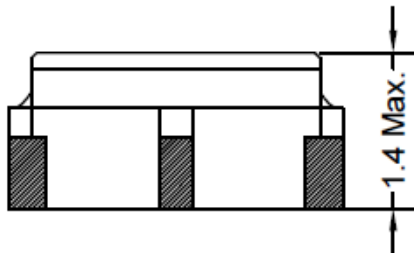
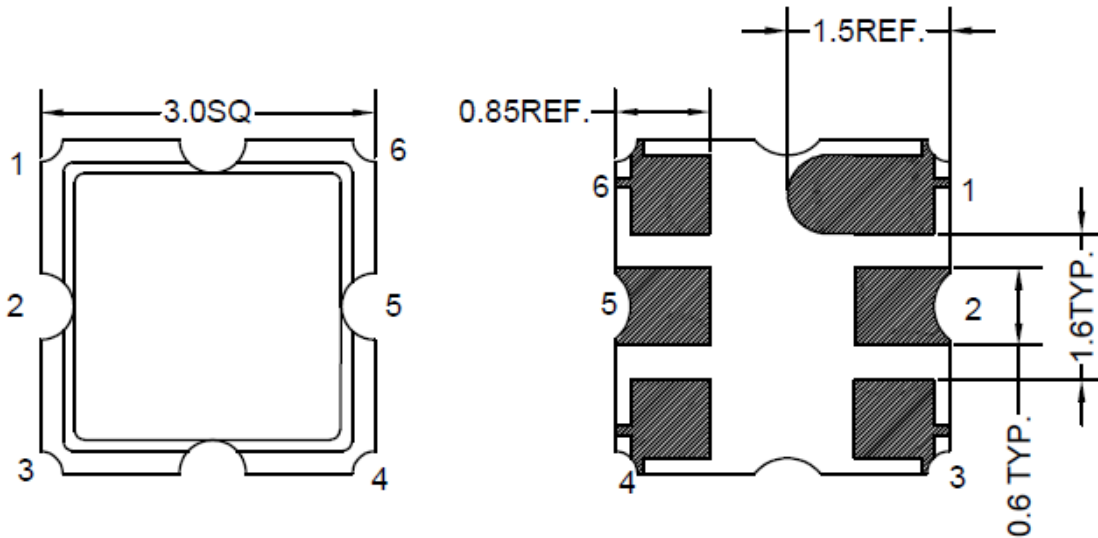


Typical Applications

IOT
Cellular
Telecom
4G/LTE
Wireless Communication
WLAN
Base Station
Radar

Mechanical Drawing & Pin Connections

Drawing No: MD240080-1



PIN	Function
#2	INPUT
#5	OUTPUT
Others	GND

Unit in mm

1mm = 0.0394 inches

Not Specified Tolerance: ±0.2mm



Specifications

Parameter		Min.	Typical	Max.	Units
Center Frequency	Fc		1850		MHz
Insertion Loss (1830~1870 MHz)	IL		1.8	3.5	dB
Amplitude Ripple (1830~1870 MHz)			0.6	1.5	dB
VSWR (1830~1870 MHz)			1.7	2.0	
Attenuation (Reference level from 0 dB)					
10~1780	MHz	30	35		dB
1920~2400	MHz	35	35		dB
2400~3000	MHz	30	43		dB
3000~3500	MHz	25	31		dB
Temperature Coefficient of Frequency			-36		ppm/K
Input Power Level			10		dBm
DC Voltage			0		V
Operating Temperature Range		-40		+85	°C
Storage Temperature Range		-40		+85	°C