



### Features and Benefits

Center frequency: 1865MHz  
I.L: 4.0dB Max.  
Operating temperature: -40°C to +85°C  
Size: 3x3x1.4mm  
Package type: Surface Mount

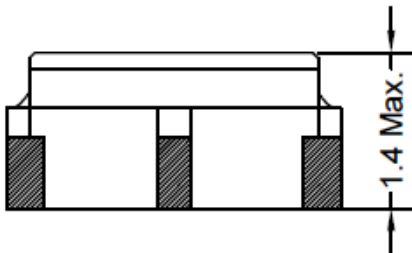
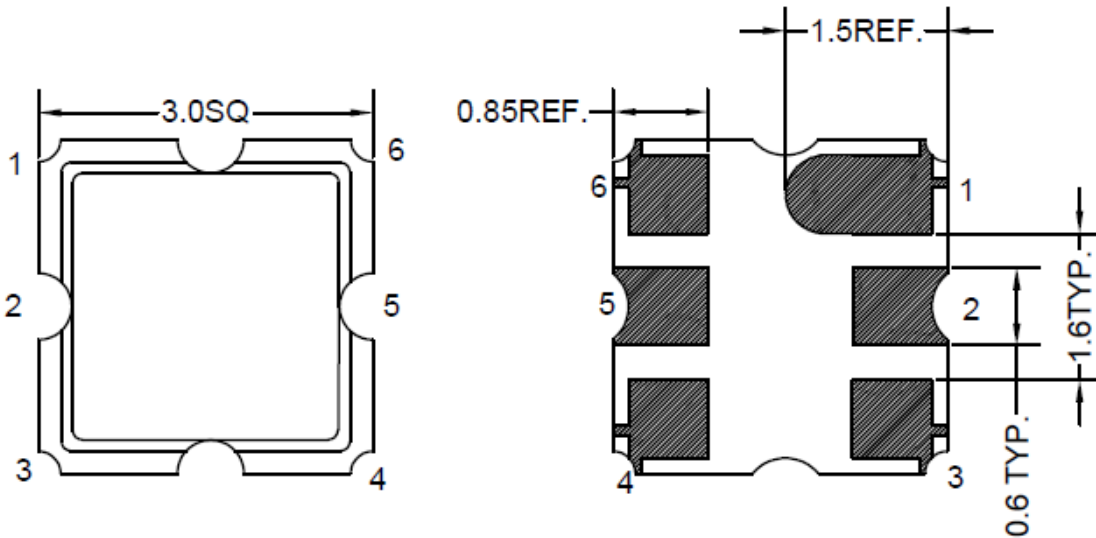


### Typical Applications

IOT  
Cellular  
Telecom  
4G/LTE  
Wireless Communication  
WLAN  
Base Station  
Radar

### Mechanical Drawing & Pin Connections

Drawing No: MD240080-1



PIN	Function
#2	INPUT
#5	OUTPUT
Others	GND

Unit in mm  
1mm = 0.0394 inches  
Not Specified Tolerance: ±0.2mm



## Specifications

Parameter		Min.	Typical	Max.	Units
Center Frequency	Fc		1865		MHz
Insertion Loss (1850~1880 MHz)	IL		2.1	4.0	dB
Amplitude Ripple (1850~1880 MHz)			1.3	3.0	dB
VSWR (1850~1880 MHz)			1.4	2.4	
Source Impedance (single ended)			50		$\Omega$
Load Impedance (single ended)			50		$\Omega$
Attenuation (Reference level from 0 dB)					
1805~1830 MHz		10	16		dB
Input Power Level			15		dBm
DC Voltage			3		V
Operating Temperature Range		-40		+85	$^{\circ}$ C
Storage Temperature Range		-40		+85	$^{\circ}$ C