



Features and Benefits

Center frequency: 1925MHz
I.L: 3.0dB Max.
Operating temperature: -20°C to +70°C
Size: 3x3x1.4mm
Package type: Surface Mount

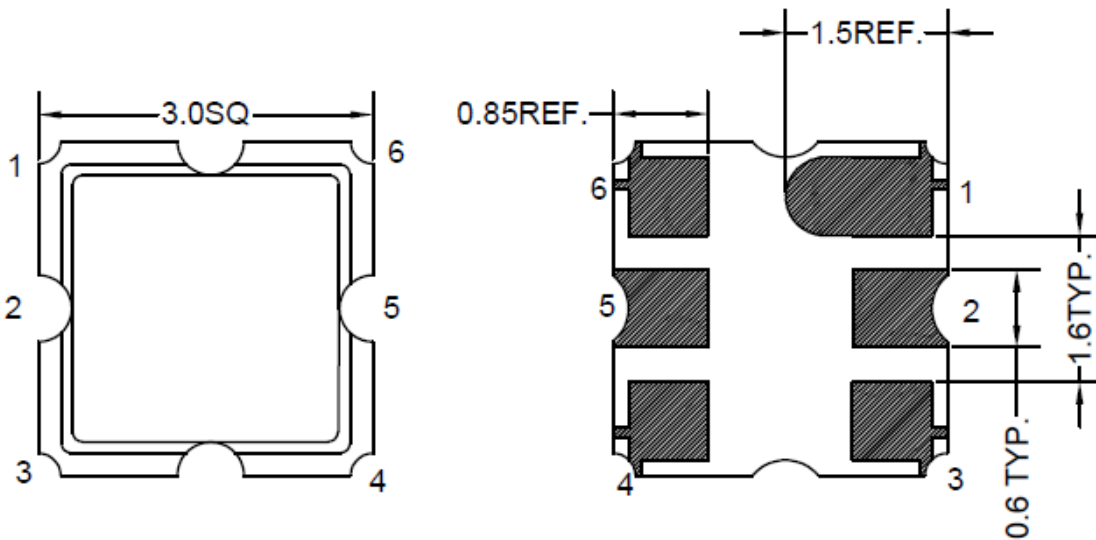


Typical Applications

IOT
Cellular
Telecom
4G/LTE
Wireless Communication
WLAN
Base Station
Radar

Mechanical Drawing & Pin Connections

Drawing No: MD240080-1



PIN	Function
#2	INPUT
#5	OUTPUT
Others	GND

Unit in mm
1mm = 0.0394 inches
Not Specified Tolerance: ±0.2mm



Specifications

Parameter		Min.	Typical	Max.	Units
Center Frequency	Fc		1925		MHz
Insertion Loss (1920~1930 MHz)	IL		1.3	3.0	dB
Amplitude Ripple (1920~1930 MHz)			0.3	1.3	dB
VSWR (1920~1930 MHz)			1.3	2.5	
Attenuation (Reference level from 0 dB)					
1700~1810 MHz		30	38		dB
1810~1855 MHz		20	33		dB
1985~2100 MHz		30	46		dB
Source Impedance			50		Ω
Load Impedance			50		Ω
Input Power Level			10		dBm
DC Voltage			3		V
Operating Temperature Range		-20		+70	$^{\circ}$ C
Storage Temperature Range		-40		+85	$^{\circ}$ C