



Features and Benefits

Center frequency: 1942MHz
I.L: 5.0dB Max.
Operating temperature: -50°C to +70°C
Size: 3x3x1.4mm
Package type: Surface Mount

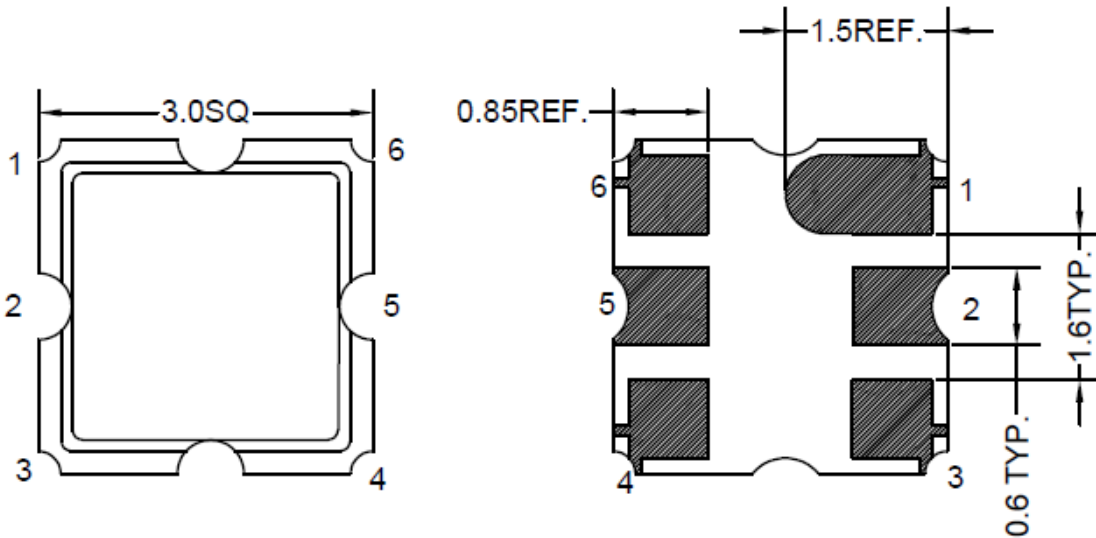


Typical Applications

IOT
Cellular
Telecom
4G/LTE
Wireless Communication
WLAN
Base Station
Radar

Mechanical Drawing & Pin Connections

Drawing No: MD240080-1



PIN	Function
#2	INPUT
#5	OUTPUT
Others	GND

Unit in mm
1mm = 0.0394 inches
Not Specified Tolerance: ±0.2mm



Specifications

Parameter		Min.	Typical	Max.	Units
Center Frequency	Fc		1942		MHz
Insertion Loss (1917~1967 MHz)	IL		3.3	5.0	dB
Amplitude Ripple (1917~1967 MHz)			0.7	3.0	dB
VSWR (1917~1967 MHz)			2.0	2.5	
Bandwidth @ -3dB		50	83		MHz
Attenuation (Reference level from 0 dB)					
1300~1820 MHz		40	44		dB
2065~2500 MHz		37	41		dB
Input Power Level			10		dBm
DC Voltage			3		V
Operating Temperature Range		-50		+70	°C
Storage Temperature Range		-50		+95	°C