



### Features and Benefits

Center frequency: 1967.5MHz  
I.L: 4.0dB Max.  
Operating temperature: -20°C to +75°C  
Size: 3x3x1.4mm  
Package type: Surface Mount

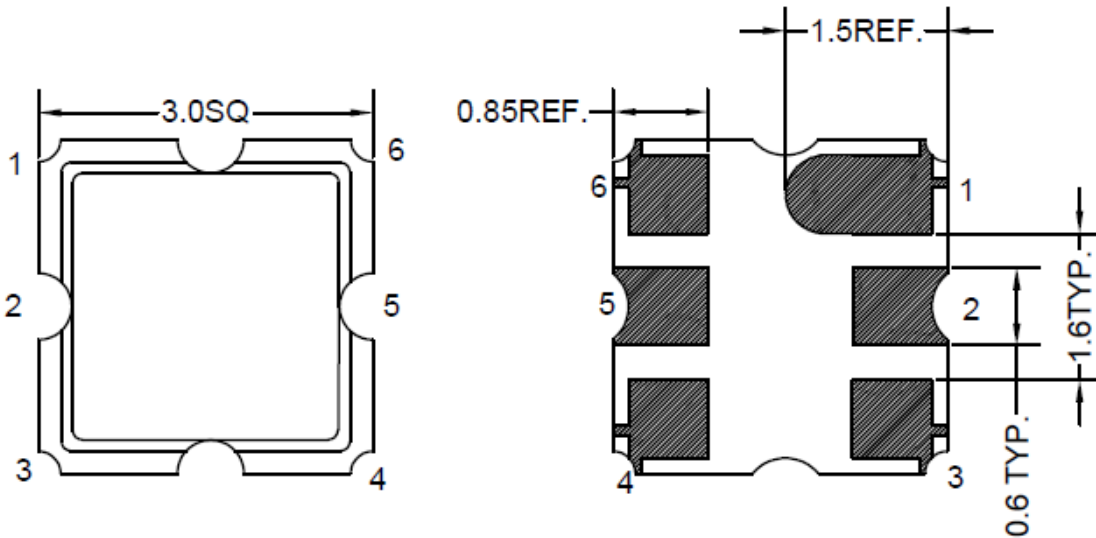


### Typical Applications

IOT  
Cellular  
Telecom  
4G/LTE  
Wireless Communication  
WLAN  
Base Station  
Radar

### Mechanical Drawing & Pin Connections

Drawing No: MD240080-1



PIN	Function
#2	INPUT
#5	OUTPUT
Others	GND

Unit in mm  
1mm = 0.0394 inches  
Not Specified Tolerance: ±0.2mm



## Specifications

Parameter		Min.	Typical	Max.	Units
Center Frequency	Fc		1967.5		MHz
Insertion Loss (1950~1985 MHz)	IL		2.7	4.0	dB
Amplitude Ripple (1950~1985 MHz)			1.0	2.0	dB
VSWR (1950~1985 MHz)			1.8	2.4	
Group delay ripple (1950~1985 MHz)			7	16	ns
Attenuation (Reference level from 0 dB)					
D.C.~1795 MHz		33	40		dB
1795~1895 MHz		25	41		dB
2040~2140 MHz		25	55		dB
2140~3245 MHz		31	36		dB
3245~4000 MHz		23	28		dB
Input Power Level			10		dBm
DC Voltage			3		V
Operating Temperature Range		-20		+75	°C
Storage Temperature Range		-40		+85	°C