



### Features and Benefits

Center frequency: 2100MHz  
I.L: 4.0dB Max.  
Operating temperature: -30°C to +85°C  
Size: 3x3x1.4mm  
Package type: Surface Mount

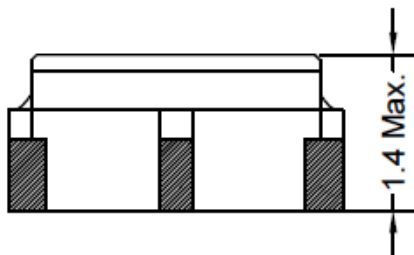
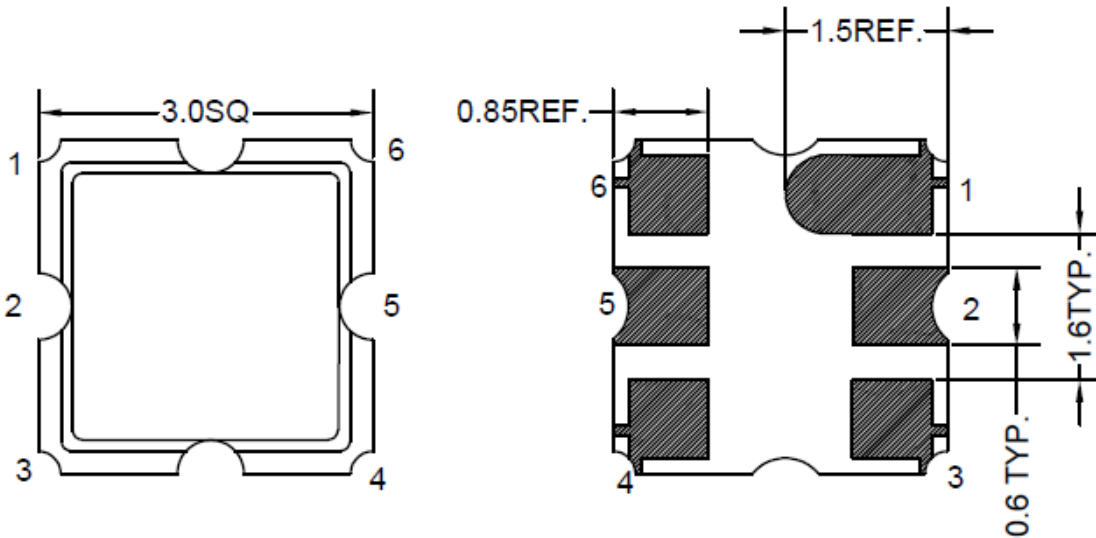


### Typical Applications

IOT  
Cellular  
Telecom  
4G/LTE  
Wireless Communication  
WLAN  
Base Station  
Radar

### Mechanical Drawing & Pin Connections

Drawing No: MD240080-1



PIN	Function
#2	INPUT
#5	OUTPUT
Others	GND

Unit in mm  
1mm = 0.0394 inches  
Not Specified Tolerance: ±0.2mm



## Specifications

Parameter		Min.	Typical	Max.	Units
Center Frequency	Fc		2100		MHz
Insertion Loss (2070~2130 MHz)	IL		1.9	4.0	dB
Amplitude Ripple (2070~2130 MHz)			1.3	2.0	dB
Attenuation (Reference level from 0 dB)					
0.3~500 MHz		21	34		dB
500~1920 MHz		20	30		dB
1920~2010 MHz		35	38		dB
Source Impedance			50		$\Omega$
Load Impedance			50		$\Omega$
Input Power Level			7		dBm
DC Voltage			3		V
Operating Temperature Range		-30		+85	$^{\circ}\text{C}$
Storage Temperature Range		-40		+85	$^{\circ}\text{C}$