



Features and Benefits

Center frequency: 2130MHz
I.L: 3.5dB Max.
Operating temperature: 0°C to +70°C
Size: 3x3x1.4mm
Package type: Surface Mount

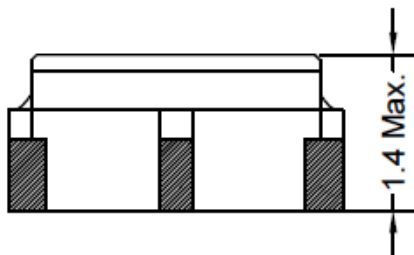
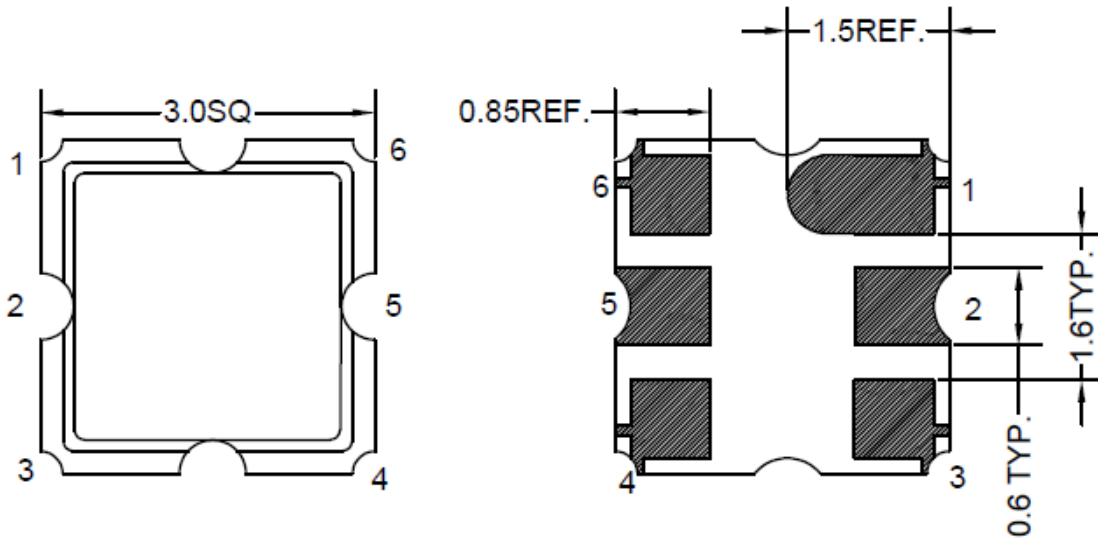


Typical Applications

IOT
Cellular
Telecom
4G/LTE
Wireless Communication
WLAN
Base Station
Radar

Mechanical Drawing & Pin Connections

Drawing No: MD240080-1



PIN	Function
#2	INPUT
#5	OUTPUT
Others	GND

Unit in mm

1mm = 0.0394 inches

Not Specified Tolerance: ±0.2mm



Specifications

Parameter		Min.	Typical	Max.	Units
Center Frequency	Fc		2130		MHz
Insertion Loss (2100~2160 MHz)	IL		2.9	3.5	dB
Amplitude Ripple (2100~2160 MHz)			1.2	2.0	dB
Attenuation (Reference level from 0 dB)					
1000~2050 MHz		30	31.2		dB
2210~3000 MHz		30	39		dB
Input Power Level			10		dBm
DC Voltage			3		V
Operating Temperature Range		0		+70	°C
Storage Temperature Range		-30		+85	°C