



### Features and Benefits

Center frequency: 2162.5MHz  
I.L: 4.0dB Max.  
Operating temperature: -20°C to +75°C  
Size: 3x3x1.4mm  
Package type: Surface Mount

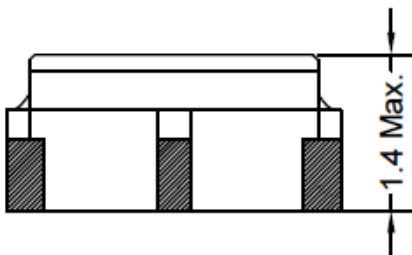
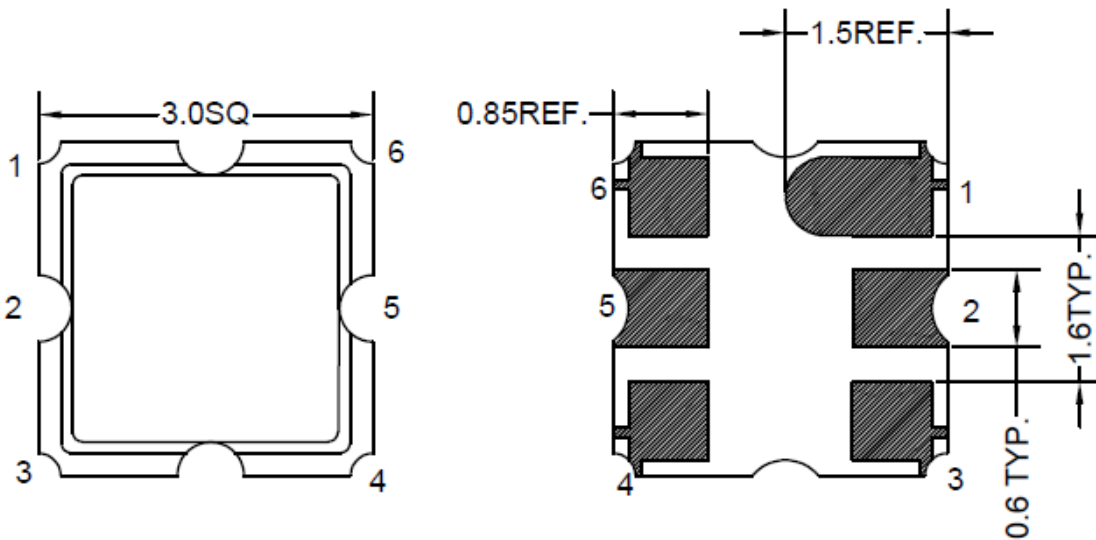


### Typical Applications

IOT  
Cellular  
Telecom  
4G/LTE  
Wireless Communication  
WLAN  
Base Station  
Radar

### Mechanical Drawing & Pin Connections

Drawing No: MD240080-1



PIN	Function
#2	INPUT
#5	OUTPUT
Others	GND

Unit in mm  
1mm = 0.0394 inches  
Not Specified Tolerance: ±0.2mm



## Specifications

Parameter		Min.	Typical	Max.	Units
Center Frequency	Fc		2162.5		MHz
Insertion Loss (2155~2170 MHz)	IL		1.9	4.0	dB
Amplitude Ripple (2155~2170 MHz)			0.2	2.0	dB
Group Delay Ripple (2155~2170 MHz)			4	16	ns
VSWR (2155~2170 MHz)			1.2	2.0	
Attenuation (Reference level from 0 dB)					
D.C.~1985	MHz	30	35		dB
1985~2085	MHz	33	36		dB
2230~2330	MHz	35	45		dB
2330~3435	MHz	36	40		dB
3435~4000	MHz	31	33		dB
Input Power Level			10		dBm
DC Voltage			3		V
Operating Temperature Range		-20		+75	°C
Storage Temperature Range		-40		+85	°C