



Features and Benefits

Center frequency: 2192.5MHz
I.L: 5.0dB Max.
Operating temperature: -40°C to +85°C
Size: 3x3x1.4mm
Package type: Surface Mount

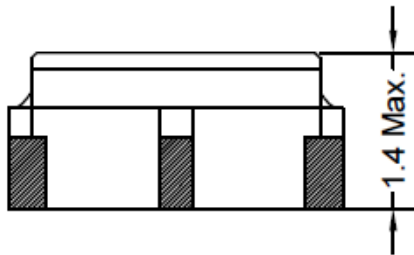
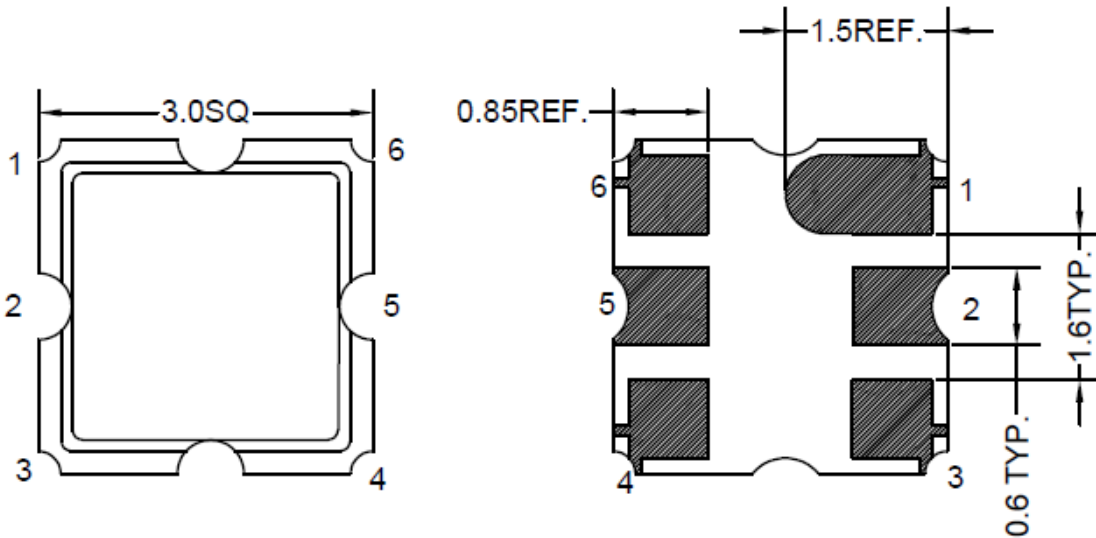


Typical Applications

IOT
Cellular
Telecom
4G/LTE
Wireless Communication
WLAN
Base Station
Radar

Mechanical Drawing & Pin Connections

Drawing No: MD240080-1



PIN	Function
#2	INPUT
#5	OUTPUT
Others	GND

Unit in mm
1mm = 0.0394 inches
Not Specified Tolerance: ±0.2mm



Specifications

Parameter	Min.	Typical	Max.	Units
Center Frequency Fc		2192.5		MHz
Insertion Loss (2185~2200 MHz) IL		3.2	5.0	dB
Amplitude Ripple (2185~2200 MHz)		1.1	2.0	dB
VSWR (2185~2200 MHz)		1.4	2.0	
Attenuation (Reference level from 0 dB)				
824~849 MHz	35	42		dB
880~960 MHz	35	41		dB
1710~1785 MHz	40	45		dB
1805~1920 MHz	40	47		dB
1920~2010 MHz	40	53		dB
2110~2140 MHz	18	28		dB
2300~2400 MHz	15	54		dB
2400~2500 MHz	20	55		dB
Temperature Coefficient of Frequency		-36		ppm/°C
Input Power Level		15		dBm
DC Voltage		3		V
Operating Temperature Range	-40		+85	°C
Storage Temperature Range	-40		+105	°C