



Features and Benefits

Center frequency: 2235MHz
I.L: 3.2dB Max.
Operating temperature: -40°C to +85°C
Size: 3x3x1.4mm
Package type: Surface Mount

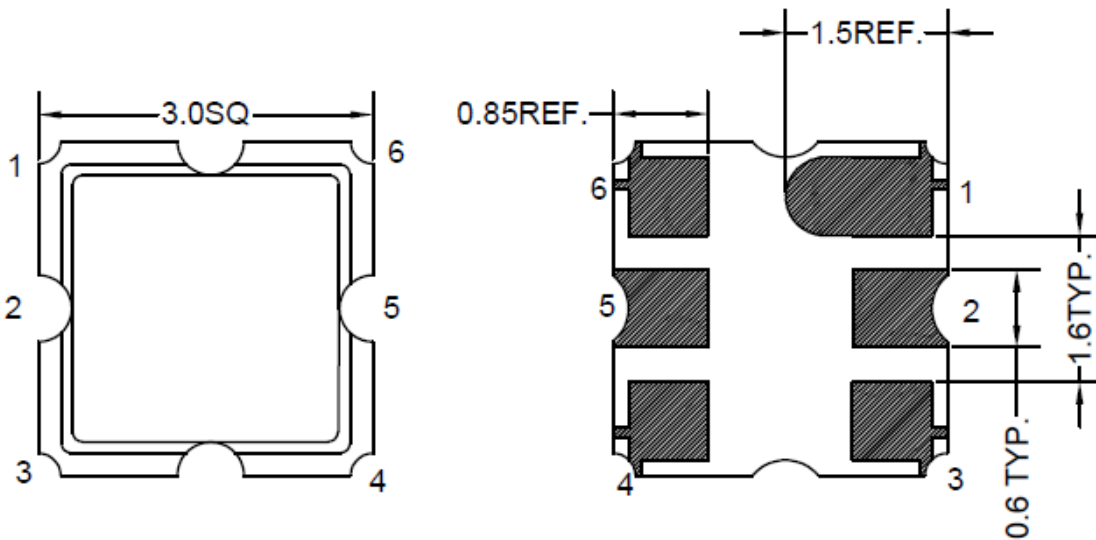


Typical Applications

IOT
Cellular
Telecom
4G/LTE
Wireless Communication
WLAN
Base Station
Radar

Mechanical Drawing & Pin Connections

Drawing No: MD240080-1



PIN	Function
#2	INPUT
#5	OUTPUT
Others	GND

Unit in mm
1mm = 0.0394 inches
Not Specified Tolerance: ±0.2mm



Specifications

Parameter		Min.	Typical	Max.	Units
Center Frequency	Fc		2235		MHz
Insertion Loss (2200~2270 MHz)	IL		2.0	3.2	dB
Amplitude Ripple (Variation over 3 MHz)			0.5	1.0	dB
Group Delay Ripple (Variation over 3 MHz)			5	12	ns
VSWR (2200~2270 MHz)			2	2.4	
Attenuation (Reference level from 0 dB)					
D.C.~2100	MHz	28	30		dB
2100~2135	MHz	30	40		dB
2135~2170	MHz	4	14		dB
2300~2335	MHz	4	14		dB
2335~3500	MHz	30	35		dB
Temperature Coefficient of Frequency			-36		ppm/°C
Input Power Level			15		dBm
DC Voltage			3		V
Operating Temperature Range		-40		+85	°C
Storage Temperature Range		-40		+85	°C
Moisture Sensitivity Level		Level 1			
ESD (MM)			50		V
ESD (HBM)			100		V