



Features and Benefits

Center frequency: 2544.5MHz
I.L: 4dB Max.
Operating temperature: -20°C to +70°C
Size: 3x3x1.4mm
Package type: Surface Mount

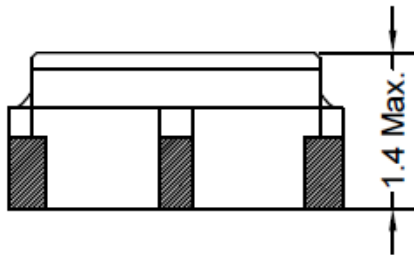
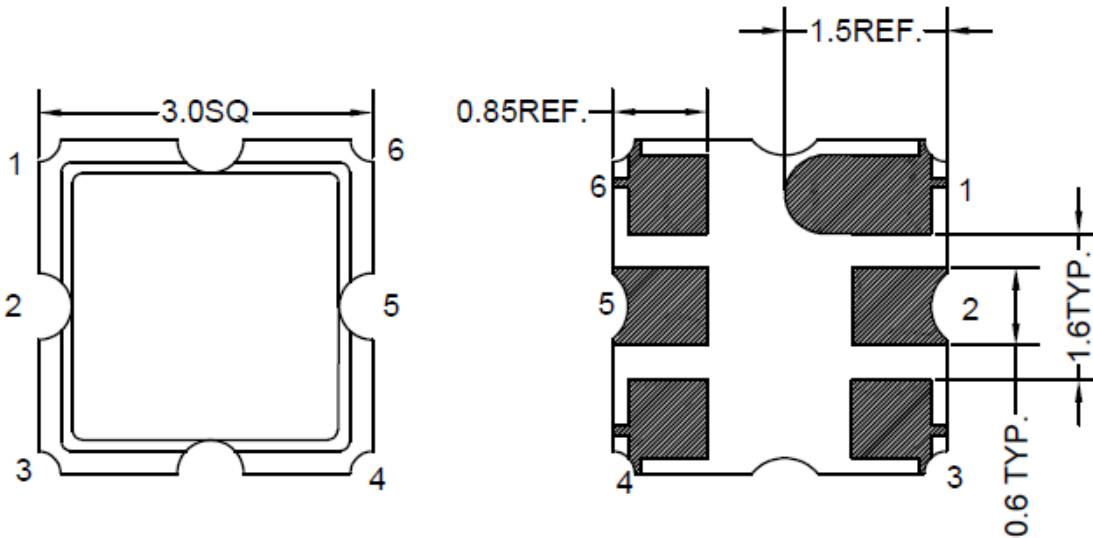


Typical Applications

IOT
Cellular
Telecom
4G/LTE
Wireless Communication
WLAN
Base Station
Radar

Mechanical Drawing & Pin Connections

Drawing No: MD240080-1



PIN	Function
#2	INPUT
#5	OUTPUT
Others	GND

Unit in mm
1mm = 0.0394 inches
Not Specified Tolerance: ±0.2mm



Specifications

Parameter		Min.	Typical	Max.	Units
Center Frequency	Fc		2544.5		MHz
Insertion Loss (2496~2593 MHz)	IL		2.8	4	dB
Amplitude Ripple (2496~2593 MHz)			1.6	2.5	dB
VSWR (2496~2593 MHz)			2	2.5	
Attenuation (Reference level from 0 dB)					
DC~2400	MHz	25	28		dB
2400~2445	MHz	31	39		dB
2445~2460	MHz	15	25		dB
2660~3800	MHz	30	37		dB
3800~5000	MHz	15	25		dB
Temperature Coefficient of Frequency			-36		ppm/°C
Input Power Level			10		dBm
DC Voltage			3		V
Operating Temperature Range		-20		+70	°C
Storage Temperature Range		-30		+85	°C