



Features and Benefits

Center frequency: 2550MHz
I.L: 3.2dB Max.
Operating temperature: -20°C to +70°C
Size: 3x3x1.4mm
Package type: Surface Mount

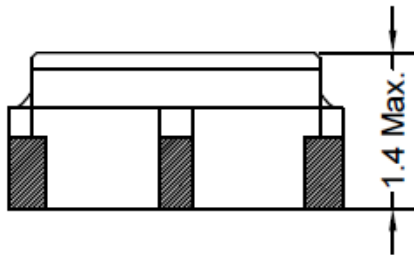
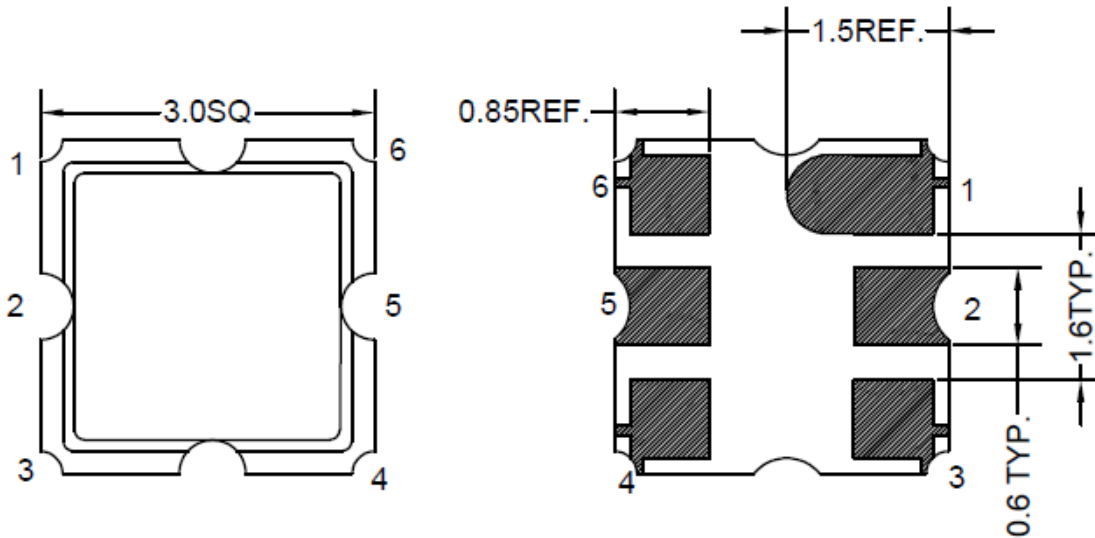


Typical Applications

IOT
Cellular
Telecom
4G/LTE
Wireless Communication
WLAN
Base Station
Radar

Mechanical Drawing & Pin Connections

Drawing No: MD240080-1



PIN	Function
#2	INPUT
#5	OUTPUT
Others	GND

Unit in mm
1mm = 0.0394 inches
Not Specified Tolerance: ±0.2mm



Specifications

Parameter	Min.	Typical	Max.	Units
Center Frequency Fc		2550		MHz
Insertion Loss (2532.5~2567.5 MHz) IL		2.7	3.2	dB
Amplitude Ripple (2532.5~2567.5 MHz)		0.4	1.5	dB
VSWR (2532.5~2567.5 MHz)		2	2.2	
Attenuation (Reference level from 0 dB)				
2295~2325 MHz	40	48		dB
2498 MHz	6	17		dB
2650~3500 MHz	40	50		dB
Temperature Coefficient of Frequency		-36		ppm/°C
In/Out Impedance (Single)		50		ohm
Input Power Level		10		dBm
DC Voltage		3		V
Operating Temperature Range	-20		+70	°C
Storage Temperature Range	-30		+85	°C