



### Features and Benefits

Center frequency: 2602.5MHz  
I.L: 3.5dB Max.  
Operating temperature: -20°C to +70°C  
Size: 3x3x1.4mm  
Package type: Surface Mount

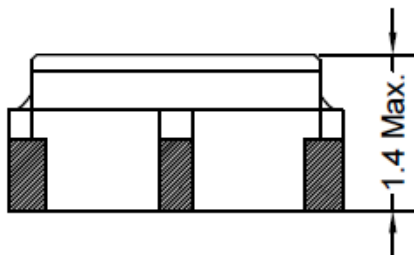
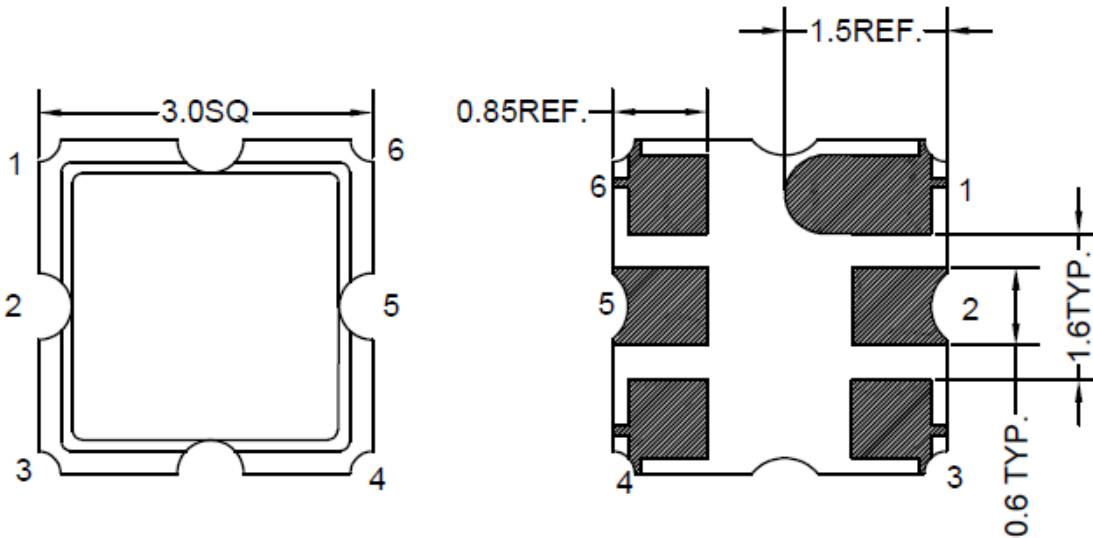


### Typical Applications

IOT  
Cellular  
Telecom  
4G/LTE  
Wireless Communication  
WLAN  
Base Station  
Radar

### Mechanical Drawing & Pin Connections

Drawing No: MD240080-1



PIN	Function
#2	INPUT
#5	OUTPUT
Others	GND

Unit in mm  
1mm = 0.0394 inches  
Not Specified Tolerance: ±0.2mm



### Specifications

Parameter		Min.	Typical	Max.	Units
Center Frequency	Fc		2602.5		MHz
Insertion Loss (2595~2625 MHz)	IL		2.5	3.3	dB
Insertion Loss (2580~2595 MHz)	IL		3	3.5	dB
Amplitude Ripple (2595~2625 MHz)			1.3	2.2	dB
Return Loss (2595~2625 MHz)		9	14		dB
Attenuation (Reference level from 0 dB)					
2100~2400	MHz	35	45		dB
2400~2484	MHz	40	44		dB
2710~2840	MHz	40	54		dB
2840~3000	MHz	35	49		dB
Input Power Level			10		dBm
DC Voltage			3		V
Operating Temperature Range		-20		+70	°C
Storage Temperature Range		-40		+95	°C
Moisture Sensitivity Level		Level 1(MSL1)			