



Features and Benefits

Center frequency: 2665MHz
I.L: 3.6dB Max.
Operating temperature: -20°C to +70°C
Size: 3x3x1.4mm
Package type: Surface Mount

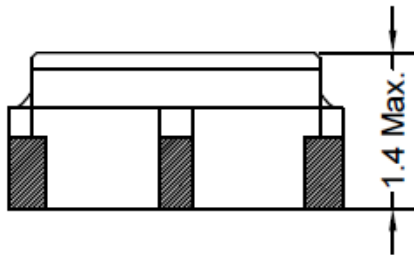
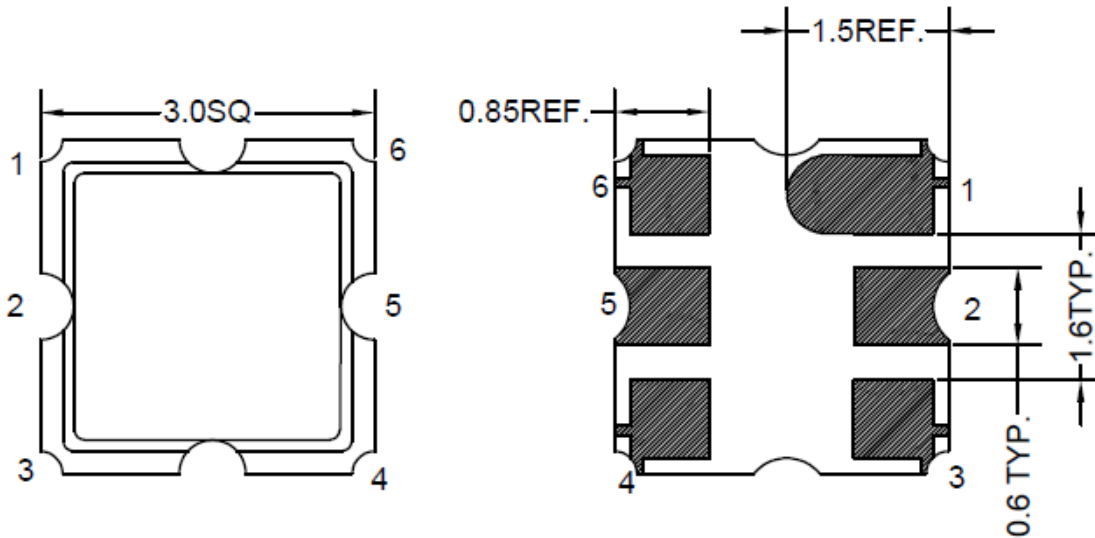


Typical Applications

IOT
Cellular
Telecom
4G/LTE
Wireless Communication
WLAN
Base Station
Radar

Mechanical Drawing & Pin Connections

Drawing No: MD240080-1



PIN	Function
#2	INPUT
#5	OUTPUT
Others	GND

Unit in mm
1mm = 0.0394 inches
Not Specified Tolerance: ±0.2mm



Specifications

Parameter		Min.	Typical	Max.	Units
Center Frequency	Fc		2665		MHz
Insertion Loss (2630~2700 MHz)	IL		2.2	3.6	dB
Amplitude Ripple (2630~2700 MHz)			0.7	2.2	dB
VSWR (2630~2700 MHz)			1.9	2.5	
Attenuation (Reference level from 0 dB)					
DC~2100	MHz	25	31		dB
2100~2520	MHz	27	33		dB
2790~4000	MHz	30	36		dB
4000~5000	MHz	20	24		dB
Input Power Level			10		dBm
DC Voltage			3		V
Operating Temperature Range		-20		+70	°C
Storage Temperature Range		-40		+85	°C