



Features and Benefits

Center frequency: 2817.5MHz
I.L: 4.6dB Max.
Operating temperature: -40°C to +85°C
Size: 3x3x1.4mm
Package type: Surface Mount

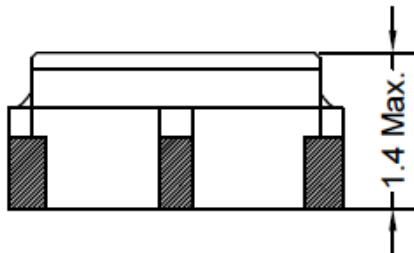
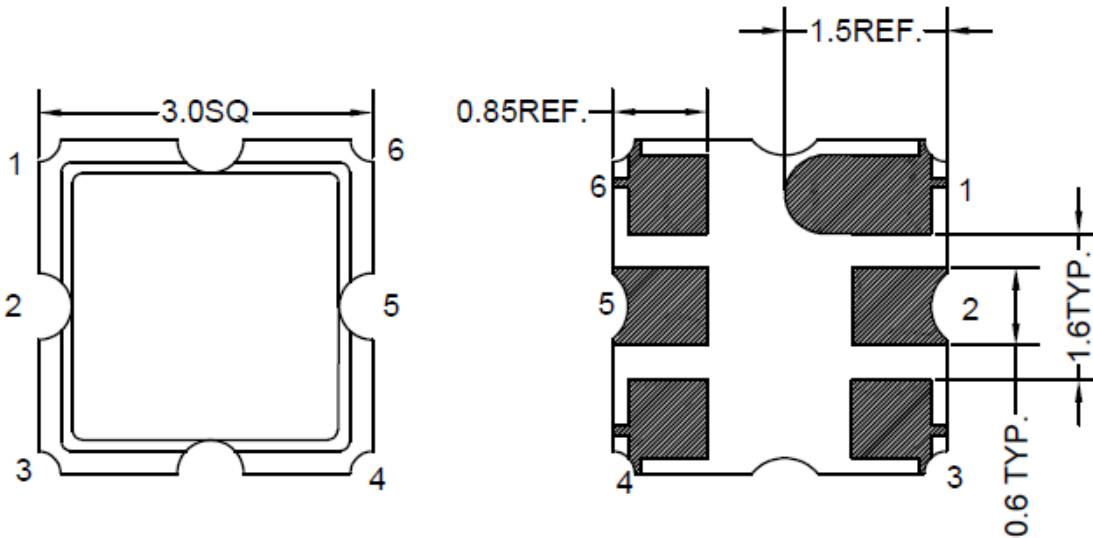


Typical Applications

IOT
Cellular
Telecom
4G/LTE
Wireless Communication
WLAN
Base Station
Radar

Mechanical Drawing & Pin Connections

Drawing No: MD240080-1



PIN	Function
#2	INPUT
#5	OUTPUT
Others	GND

Unit in mm
1mm = 0.0394 inches
Not Specified Tolerance: ±0.2mm



Specifications

Parameter		Min.	Typical	Max.	Units
Center Frequency	Fc		2817.5		MHz
Insertion Loss (2802.5~2832.5 MHz)	IL		3.8	4.6	dB
Amplitude Ripple (2802.5~2832.5 MHz)			0.1	1.2	dB
Attenuation (Reference level from 0 dB)					
50~2500	MHz	20	25		dB
3150~4500	MHz	20	27		dB
Temperature Coefficient of Frequency					
Input Power Level			10		dBm
DC Voltage			3		V
Operating Temperature Range		-40		+85	°C
Storage Temperature Range		-40		+85	°C
Moisture Sensitivity Level		Level 1(MSL1)			