



Features and Benefits

Center frequency: 313.6MHz
I.L: 4.5dB Max.
Operating temperature: -40°C to +110°C
Size: 3x3x1.4mm
Package type: Surface Mount

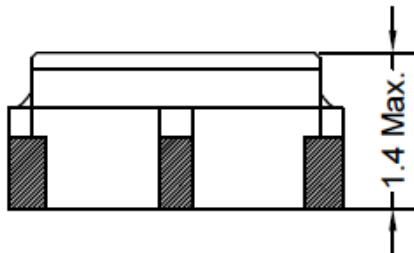
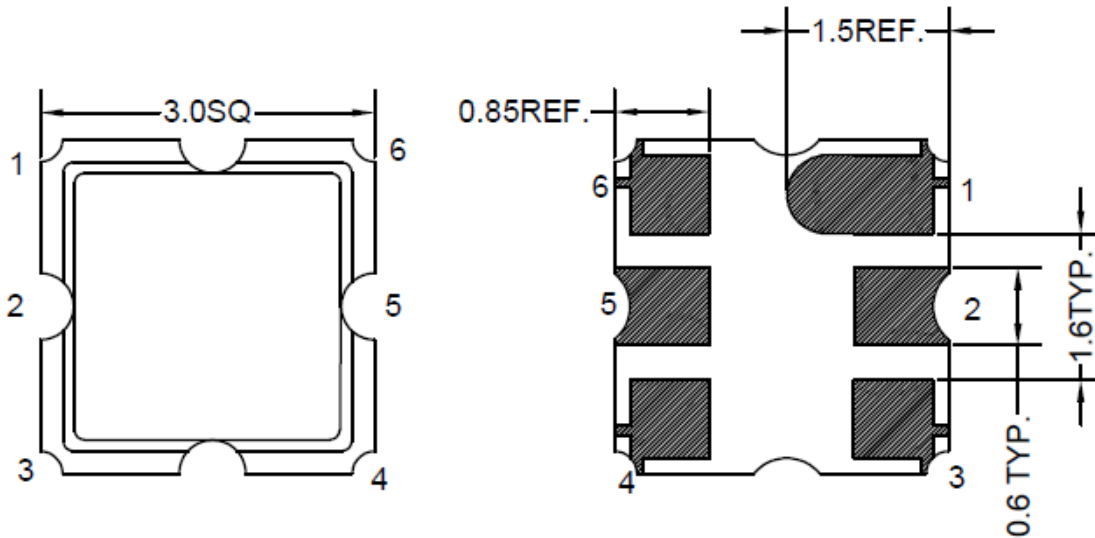


Typical Applications

IOT
Cellular
Telecom
4G/LTE
Wireless Communication
WLAN
Base Station
Radar

Mechanical Drawing & Pin Connections

Drawing No: MD240080-1



PIN	Function
#2	INPUT
#5	OUTPUT
Others	GND

Unit in mm
1mm = 0.0394 inches
Not Specified Tolerance: ±0.2mm



Specifications

Parameter		Min.	Typical	Max.	Units
Center Frequency	Fc		313.6		MHz
Insertion Loss (311.95~315.25 MHz)	IL		1.8	4.5	dB
Amplitude Ripple (311.95~315.25 MHz)			0.4	1.4	dB
VSWR (311.95~315.25 MHz)			1.4	2.5	
Attenuation (Reference level from 0 dB)					
10~293.4	MHz	50	57		dB
293.4~295.6	MHz	40	63		dB
295.6~304.2	MHz	35	53		dB
323.4~324.9	MHz	20	29		
324.9~331.6	MHz	25	29		
331.6~333.8	MHz	27	36		
333.8~337	MHz	40	45		
337~10000	MHz	35	52		
Temperature Coefficient of Frequency			-36		ppm/°C
Input Power Level			13		dBm
DC Voltage			6		V
Operating Temperature Range		-40		+110	°C
Storage Temperature Range		-45		+125	°C