



### Features and Benefits

Center frequency: 314MHz

I.L: 3dB Max.

Operating temperature: -40°C to +85°C

Size: 3x3x1.4mm

Package type: Surface Mount

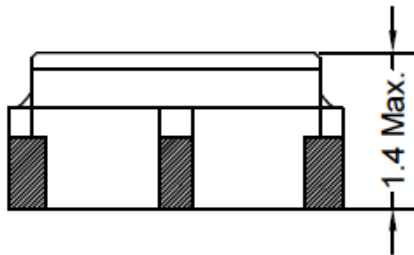
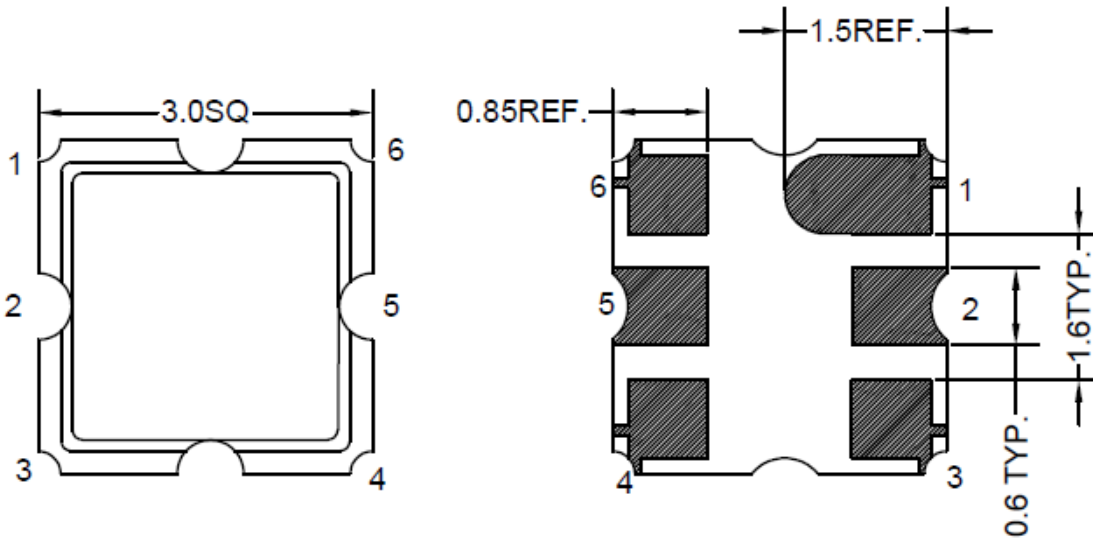


### Typical Applications

- IOT
- Cellular
- Telecom
- 4G/LTE
- Wireless Communication
- WLAN
- Base Station
- Radar

### Mechanical Drawing & Pin Connections

Drawing No: MD240080-1



PIN	Function
#2	INPUT
#5	OUTPUT
Others	GND

Unit in mm

1mm = 0.0394 inches

Not Specified Tolerance: ±0.2mm



## Specifications

Parameter		Min.	Typical	Max.	Units
Center Frequency	Fc		314		MHz
Insertion Loss (313.5~314.5 MHz)	IL		1.5	3	dB
Amplitude Ripple (313.5~314.5 MHz)			0.2	1.5	dB
VSWR (313.5~314.5 MHz)			1.2	2.5	
Attenuation (Reference level from 0 dB)					
292.1	MHz	50	66		dB
334.9	MHz	45	50		dB
Temperature Coefficient of Frequency			-36		ppm/k
Input Power Level			20		dBm
DC Voltage			7.5		V
Operating Temperature Range		-40		+85	°C
Storage Temperature Range		-40		+85	°C

Note. No matching network required for operation at 50ohm.