



Features and Benefits

Center frequency: 351MHz

I.L: 3dB Max.

Operating temperature: -40°C to +85°C

Size: 3x3x1.4mm

Package type: Surface Mount

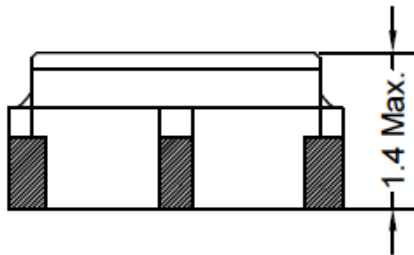
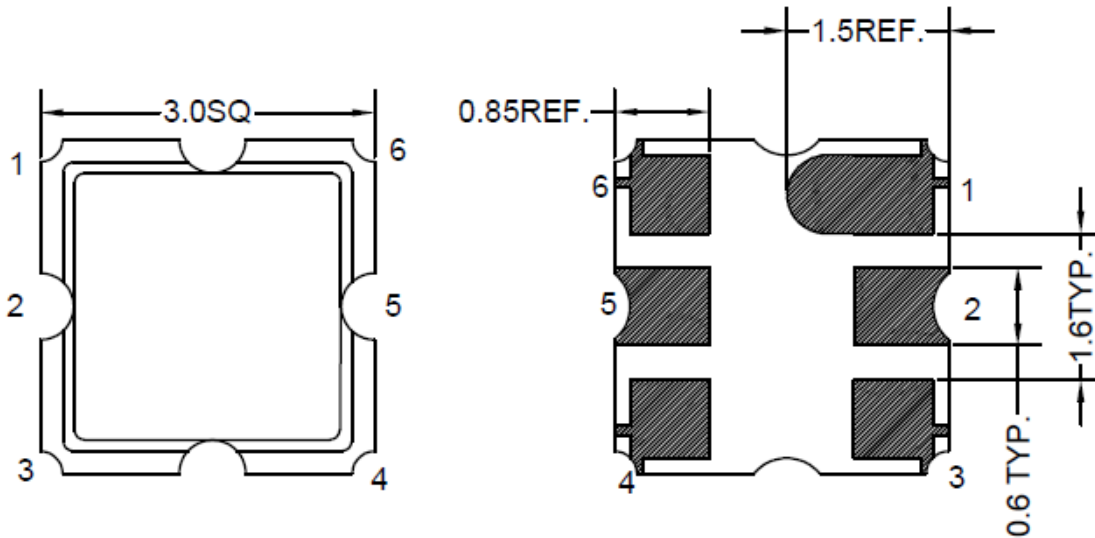


Typical Applications

- IOT
- Cellular
- Telecom
- 4G/LTE
- Wireless Communication
- WLAN
- Base Station
- Radar

Mechanical Drawing & Pin Connections

Drawing No: MD240080-1



PIN	Function
#2	INPUT
#5	OUTPUT
Others	GND

Unit in mm

1mm = 0.0394 inches

Not Specified Tolerance: ±0.2mm



Specifications

Parameter		Min.	Typical	Max.	Units
Center Frequency	Fc		351		MHz
Insertion Loss (350.5~351.5 MHz)	IL		1.7	3	dB
Amplitude Ripple (350.5~351.5 MHz)			0.1	2	dB
VSWR (350.5~351.5 MHz)			1.3	2.1	
Attenuation (Reference level from 0 dB)					
10~45	MHz	50	69		dB
46.35	MHz	60	77		dB
50~250	MHz	50	69		dB
251~258	MHz	60	69		dB
260~290	MHz	50	68		dB
296~305	MHz	50	68		dB
305~340	MHz	35	56		dB
393~600	MHz	40	50		dB
Temperature Coefficient of Frequency			-36		ppm/k
Input Power Level			30		dBm
DC Voltage			7.5		V
Operating Temperature Range		-40		+85	°C
Storage Temperature Range		-40		+85	°C

(*): Power Input period is 10000hr.