



Features and Benefits

Center frequency: 389.7MHz
I.L: 4dB Max.
Operating temperature: -30°C to +85°C
Size: 3x3x1.4mm
Package type: Surface Mount

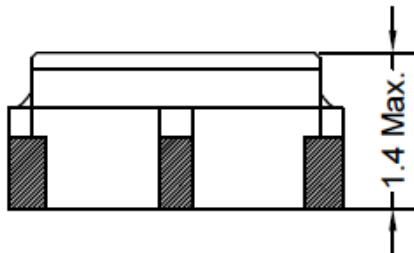
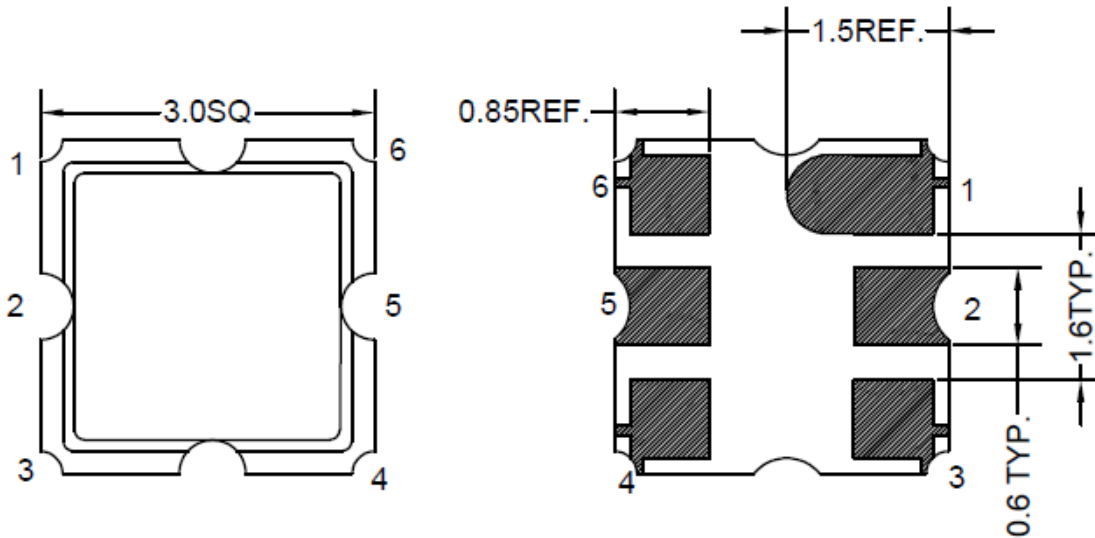


Typical Applications

IOT
Cellular
Telecom
4G/LTE
Wireless Communication
WLAN
Base Station
Radar

Mechanical Drawing & Pin Connections

Drawing No: MD240080-1



PIN	Function
#2	INPUT
#5	OUTPUT
Others	GND

Unit in mm
1mm = 0.0394 inches
Not Specified Tolerance: ±0.2mm



Specifications

Parameter		Min.	Typical	Max.	Units
Center Frequency	Fc		389.7		MHz
Insertion Loss (385.7~393.7 MHz)	IL		2.6	4	dB
Ripple (385.7~393.7 MHz)			0.6	2	dB
Attenuation (Reference level from 0 dB)					
0.3~368.7	MHz	35	55		dB
428.7~700	MHz	35	48		dB
In/Out Impedance (Single)			50		ohm
Input Power Level			10		dBm
DC Voltage			5		V
Operating Temperature Range		-30		+85	°C
Storage Temperature Range		-55		+85	°C
Moisture Sensitivity Level		Level 1(MSL1)			