



### Features and Benefits

Center frequency: 425MHz

I.L: 4dB Max.

Operating temperature: -40°C to +85°C

Size: 3x3x1.4mm

Package type: Surface Mount

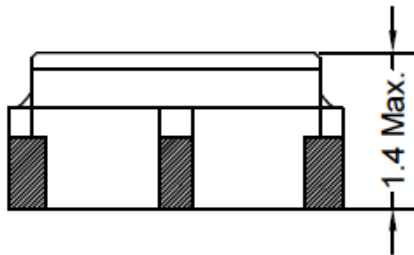
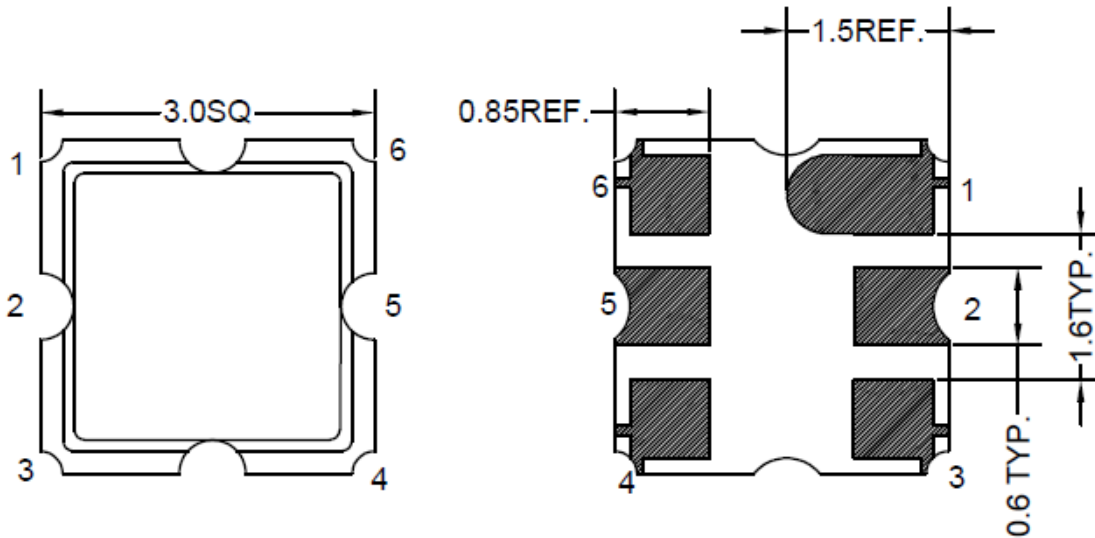


### Typical Applications

- IOT
- Cellular
- Telecom
- 4G/LTE
- Wireless Communication
- WLAN
- Base Station
- Radar

### Mechanical Drawing & Pin Connections

Drawing No: MD240080-1



PIN	Function
#2	INPUT
#5	OUTPUT
Others	GND

Unit in mm

1mm = 0.0394 inches

Not Specified Tolerance: ±0.2mm



### Specifications

Parameter		Min.	Typical	Max.	Units
Center Frequency	Fc		425		MHz
Insertion Loss (423~427 MHz)	IL		1.9	4	dB
Amplitude Ripple (423~427 MHz)			0.5	2.5	dB
VSWR (423~427 MHz)			1.3	2.5	
Attenuation (Reference level from 0 dB)					
10~380	MHz	55	70		dB
380~405	MHz	45	61		dB
440~450	MHz	30	38		dB
450~700	MHz	42	47		dB
700~1000	MHz	42	56		dB
Temperature Coefficient of Frequency			-36		ppm/°C
Input Power Level			10		dBm
DC Voltage			3		V
Operating Temperature Range		-40		+85	°C
Storage Temperature Range		-40		+85	°C