



Features and Benefits

Center frequency: 426.5MHz
I.L: 3.5dB Max.
Operating temperature: -20°C to +60°C
Size: 3x3x1.4mm
Package type: Surface Mount

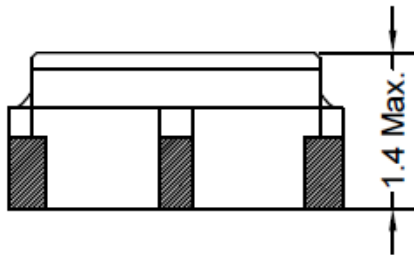
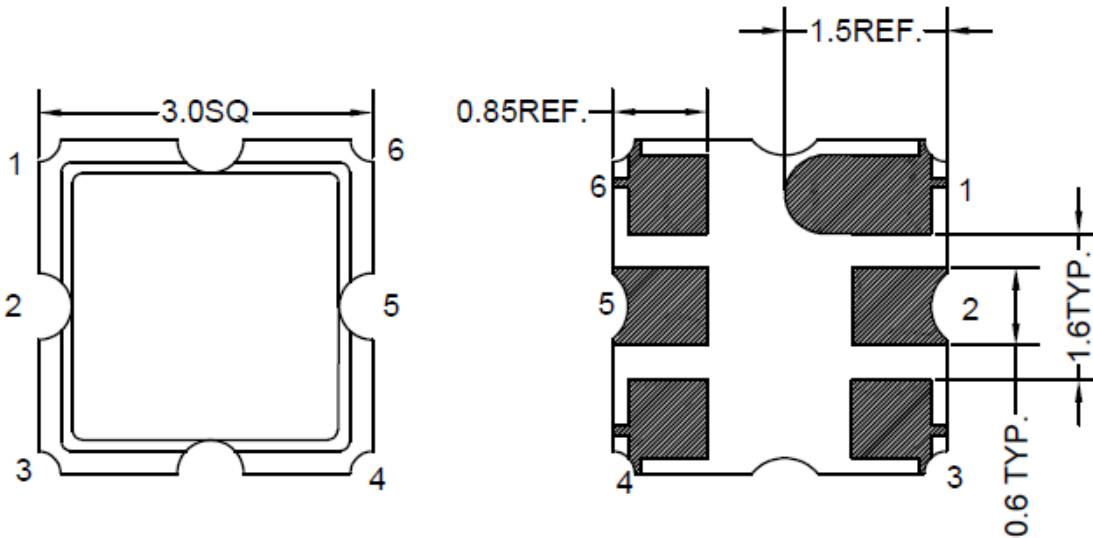


Typical Applications

IOT
Cellular
Telecom
4G/LTE
Wireless Communication
WLAN
Base Station
Radar

Mechanical Drawing & Pin Connections

Drawing No: MD240080-1



| PIN | Function |
|--------|----------|
| #2 | INPUT |
| #5 | OUTPUT |
| Others | GND |

Unit in mm
1mm = 0.0394 inches
Not Specified Tolerance: ±0.2mm



Specifications

| Parameter | | Min. | Typical | Max. | Units |
|---|-----|------|---------|------|--------|
| Center Frequency | Fc | | 426.5 | | MHz |
| Insertion Loss (426~427 MHz) | IL | | 1.7 | 3.5 | dB |
| Amplitude Ripple (426~427 MHz) | | | 0.1 | 1.5 | dB |
| VSWR (426~427 MHz) | | | 1.3 | 2.5 | |
| Attenuation (Reference level from 0 dB) | | | | | |
| 10~404.6 | MHz | 45 | 70 | | dB |
| 447.4~460 | MHz | 35 | 45 | | dB |
| 460~2100 | MHz | 40 | 52 | | dB |
| 2100~3000 | MHz | 25 | 31 | | dB |
| Temperature Coefficient of Frequency | | | -36 | | ppm/°C |
| Input Power Level | | | 20 | | dBm |
| DC Voltage | | | 3 | | V |
| Operating Temperature Range | | -20 | | +60 | °C |
| Storage Temperature Range | | -40 | | +85 | °C |