



Features and Benefits

Center frequency: 434.7MHz
I.L: 2.9dB Max.
Operating temperature: -40°C to +105°C
Size: 3x3x1.4mm
Package type: Surface Mount

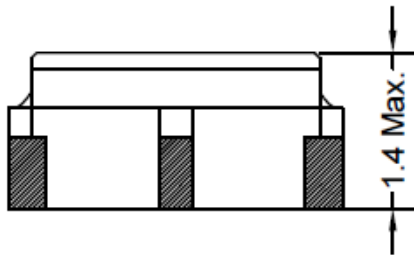
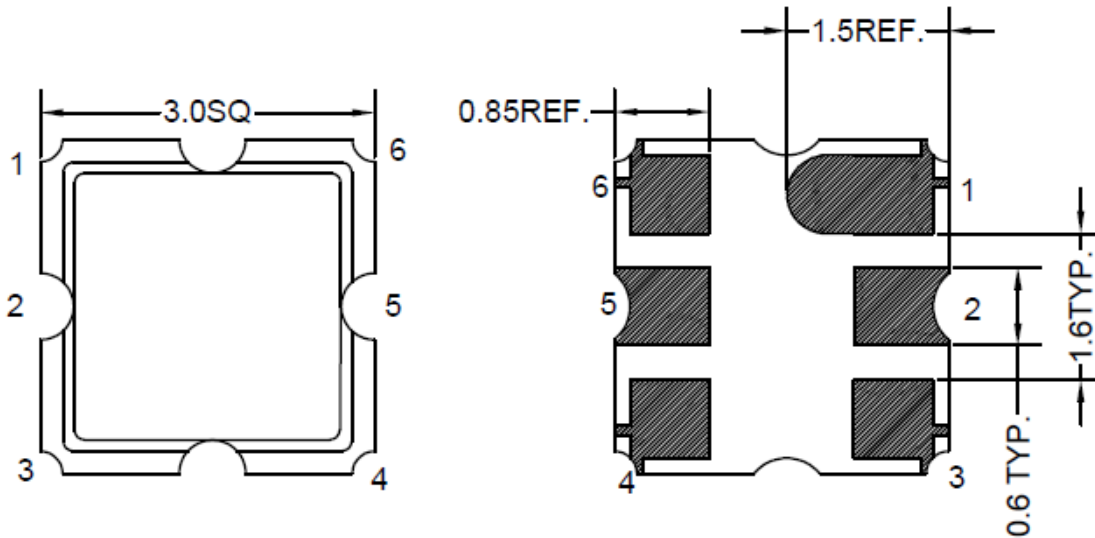


Typical Applications

IOT
Cellular
Telecom
4G/LTE
Wireless Communication
WLAN
Base Station
Radar

Mechanical Drawing & Pin Connections

Drawing No: MD240080-1



PIN	Function
#2	INPUT
#5	OUTPUT
Others	GND

Unit in mm
1mm = 0.0394 inches
Not Specified Tolerance: ±0.2mm



Specifications

Parameter	Min.	Typical	Max.	Units
Center Frequency Fc		434.7		MHz
Insertion Loss IL				
Incl. Loss in matching elements (434.165~435.235 MHz)		2.2	2.9	dB
Excl. Loss in matching elements (434.165~435.235 MHz)		1.4	2.1	dB
Passband (Relative to IL)				
434.165~435.235 MHz ¹		1.1	2.5	dB
434.15~435.25 MHz ²		1.3	3	dB
Attenuation (Relative to IL)				
10~350 MHz	50	55		dB
350~414 MHz	30	35		dB
414~425 MHz	30	35		dB
425~433 MHz	13	17		dB
436.7~437.3 MHz	13	17		dB
437.3~438 MHz	22	27		dB
438~446 MHz	25	30		dB
446~455 MHz	25	30		dB
455~480 MHz	28	33		dB
480~800 MHz	40	45		dB
800~1700 MHz	52	57		dB
1700~2500 MHz	42	47		dB
Impedance for pass band matching				
Input: ZIN=Ls1/Cp1		82/8.2		nH
Output: ZOUT =Ls2/Cp2		68/1		nH
Terminating source impedance (single) Zs		50		ohm
Terminating load impedance (single) ZL		50		ohm
Input Power Level		13		dBm
DC Voltage		0		V
Operating Temperature Range	-40		+105	°C
Storage Temperature Range	-40		+105	°C
Moisture Sensitivity Level	Level 1(MSL1)			

1): 433.913...434.928 MHz for extended temperature range -40°C to +125°C.
 2): 433.898...434.943 MHz for extended temperature range -40°C to +125°C.
 0805 Coilcraft CS series chip conductor is used for inductor.
 0402 muRata GRM series is used for capacitor.