



Features and Benefits

Center frequency: 465MHz

I.L: 3.2dB Max.

Operating temperature: -30°C to +85°C

Size: 3x3x1.4mm

Package type: Surface Mount

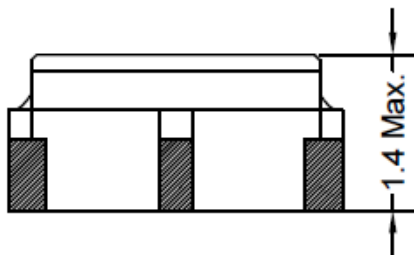
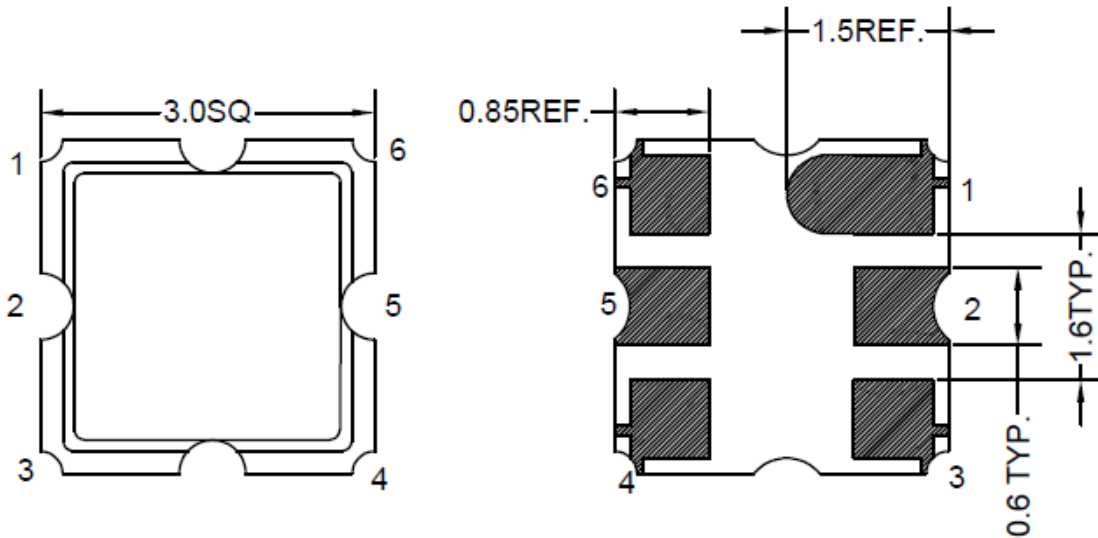


Typical Applications

- IOT
- Cellular
- Telecom
- 4G/LTE
- Wireless Communication
- WLAN
- Base Station
- Radar

Mechanical Drawing & Pin Connections

Drawing No: MD240080-1



PIN	Function
#2	INPUT
#5	OUTPUT
Others	GND

Unit in mm

1mm = 0.0394 inches

Not Specified Tolerance: ±0.2mm



Specifications

Parameter		Min.	Typical	Max.	Units
Center Frequency	Fc		465		MHz
Insertion Loss (462.5~467.5 MHz)	IL		2.5	3.2	dB
Amplitude Ripple (462.5~467.5 MHz)			0.8	1.5	dB
VSWR (462.5~467.5 MHz)			1.8	2.3	
Attenuation (Reference level from 0 dB)					
10~452.5	MHz	38	43		dB
452.5~457.5	MHz	12	16		dB
485~495.5	MHz	30	35		dB
495.5~1200	MHz	32	45		dB
1200~1700	MHz	28	42		dB
Temperature Coefficient of Frequency			-36		ppm/°C
Input Power Level			10		dBm
DC Voltage			3		V
Operating Temperature Range		-30		+85	°C
Storage Temperature Range		-40		+85	°C
Moisture Sensitivity Level		Level 1(MSL1)			