



Features and Benefits

Center frequency: 680.5MHz
I.L: 3.5dB Max.
Operating temperature: -45°C to +85°C
Size: 3x3x1.4mm
Package type: Surface Mount

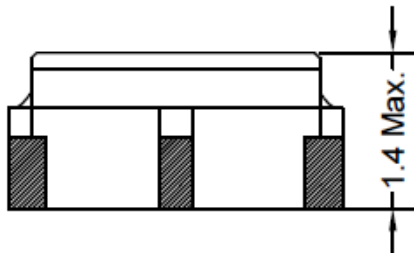
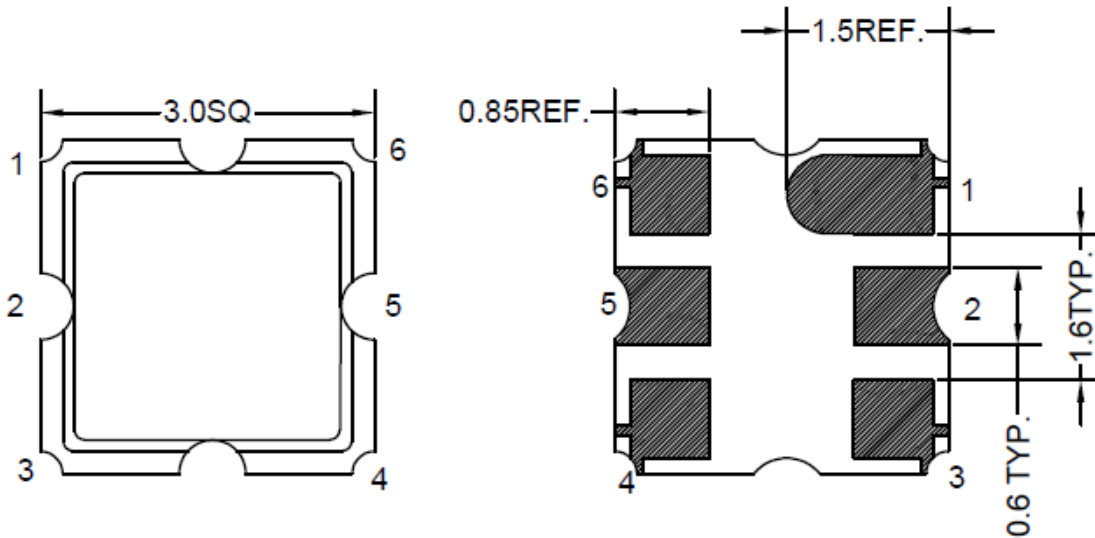


Typical Applications

IOT
Cellular
Telecom
4G/LTE
Wireless Communication
WLAN
Base Station
Radar

Mechanical Drawing & Pin Connections

Drawing No: MD240080-1



PIN	Function
#2	INPUT
#5	OUTPUT
Others	GND

Unit in mm

1mm = 0.0394 inches

Not Specified Tolerance: ±0.2mm



Specifications

Parameter		Min.	Typical	Max.	Units
Center Frequency	Fc		680.5		MHz
Insertion Loss (663~698 MHz)	IL		2.5	3.5	dB
Amplitude Ripple (663~698 MHz)			1	2	dB
Return Loss (663~698 MHz)		8	11		dB
Group Delay Ripple (663~698 MHz)			25	40	ns
Attenuation (Reference level from 0 dB)					
10~617	MHz	30	32		dB
617~640	MHz	30	35		dB
640~652	MHz	5	18		dB
710~720	MHz	8	20		dB
720~750	MHz	20	24		dB
750~3000	MHz	20	25		dB
Temperature Coefficient of Frequency			-36		ppm/k
Terminating Source Impedance (single)	Zs		50		ohm
Terminating Load Impedance (single)	ZL		50		ohm
Input Power Level			15		dBm
DC Voltage			0		V
Operating Temperature Range		-45		+85	°C
Storage Temperature Range		-45		+85	°C
Moisture Sensitivity Level		Level 1(MSL1)			