



Features and Benefits

Center frequency: 710MHz

I.L: 3dB Max.

Operating temperature: -40°C to +85°C

Size: 3x3x1.4mm

Package type: Surface Mount

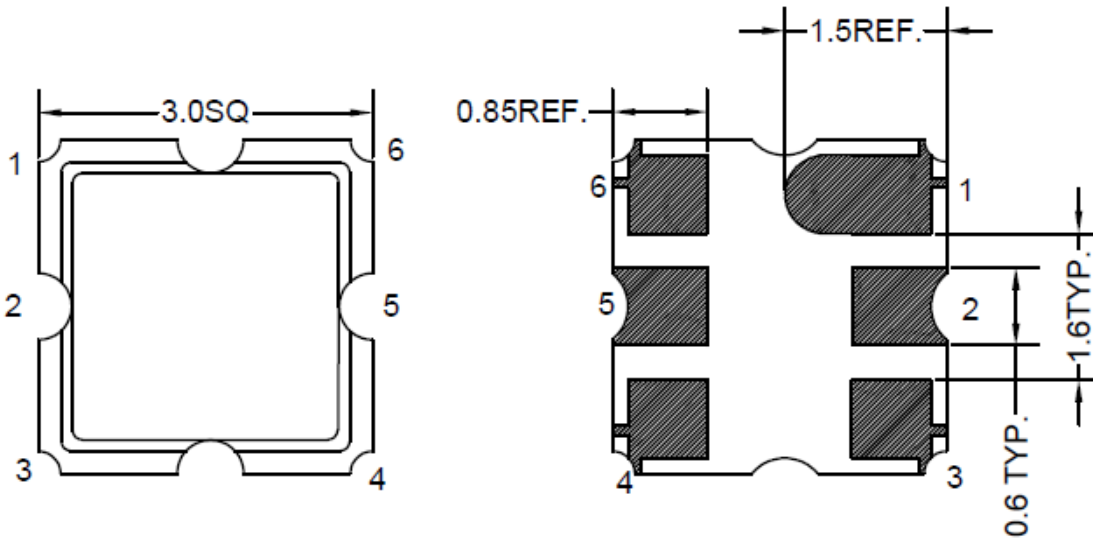


Typical Applications

- IOT
- Cellular
- Telecom
- 4G/LTE
- Wireless Communication
- WLAN
- Base Station
- Radar

Mechanical Drawing & Pin Connections

Drawing No: MD240080-1



PIN	Function
#2	INPUT
#5	OUTPUT
Others	GND

Unit in mm

1mm = 0.0394 inches

Not Specified Tolerance: ±0.2mm



Specifications

Parameter		Min.	Typical	Max.	Units
Center Frequency	Fc		710		MHz
Insertion Loss (704~716 MHz)	IL		1.85	3	dB
Amplitude Ripple (704~716 MHz)			0.3	1.5	dB
Return Loss (704~716 MHz)		7	14		dB
Attenuation (Reference level from 0 dB)					
10~680	MHz	30	52		dB
750~1500	MHz	30	43		dB
1500~2200	MHz	30	37		dB
Input Power Level			20		dBm
DC Voltage			0		V
Operating Temperature Range		-40		+85	°C
Storage Temperature Range		-40		+85	°C