



Features and Benefits

Center frequency: 899MHz
I.L: 4.5dB Max.
Operating temperature: -40°C to +85°C
Size: 3x3x1.4mm
Package type: Surface Mount

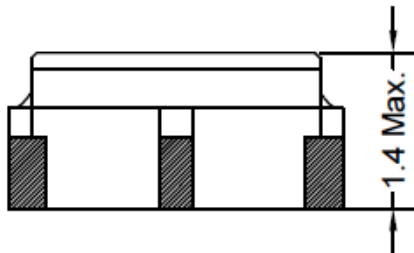
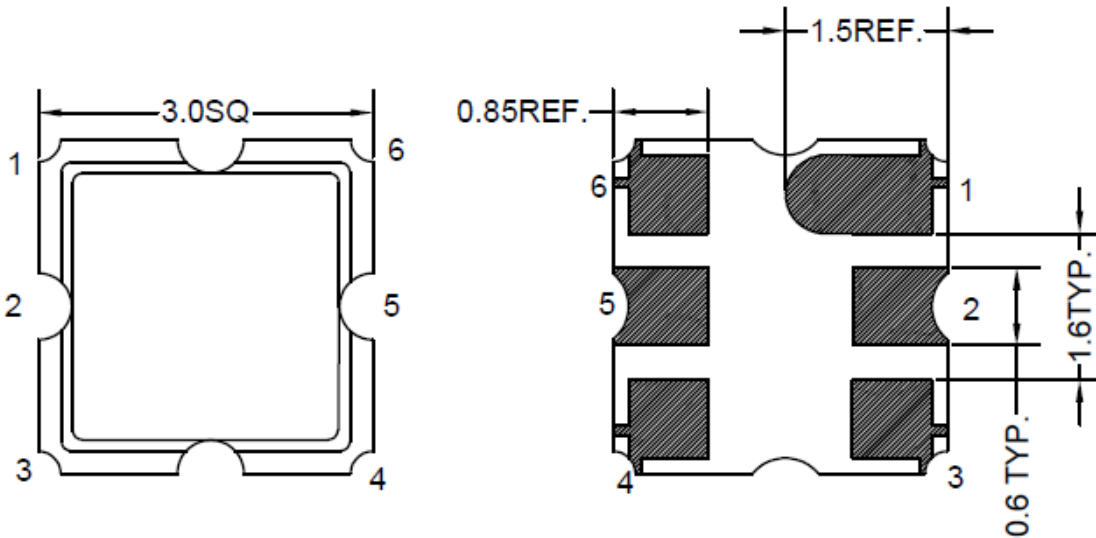


Typical Applications

IOT
Cellular
Telecom
4G/LTE
Wireless Communication
WLAN
Base Station
Radar

Mechanical Drawing & Pin Connections

Drawing No: MD240080-1



PIN	Function
#2	INPUT
#5	OUTPUT
Others	GND

Unit in mm
1mm = 0.0394 inches
Not Specified Tolerance: ±0.2mm



Specifications

Parameter		Min.	Typical	Max.	Units
Center Frequency	Fc		899		MHz
Insertion Loss (895~903 MHz)	IL		2.6	4.5	dB
Amplitude Ripple (895~903 MHz)			0.4	2.4	dB
VSWR (895~903 MHz)			1.7	2.4	
Attenuation (Reference level from 0 dB)					
10 ~ 869	MHz	37	53		dB
930 ~ 935	MHz	37	53		dB
935 ~ 960	MHz	37	54		dB
960 ~ 1600	MHz	35	53		dB
1600 ~ 2600	MHz	31	36		dB
Input Power Level			15		dBm
DC Voltage			5		V
Operating Temperature Range		-40		+85	°C
Storage Temperature Range		-40		+85	°C
Moisture Sensitivity Level		Level 1(MSL1)			