



### Features and Benefits

Center frequency: 902.5MHz  
I.L: 3.5dB Max.  
Operating temperature: -25°C to +75°C  
Size: 3x3x1.4mm  
Package type: Surface Mount

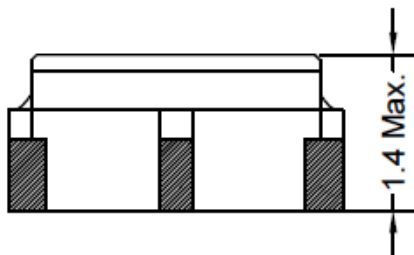
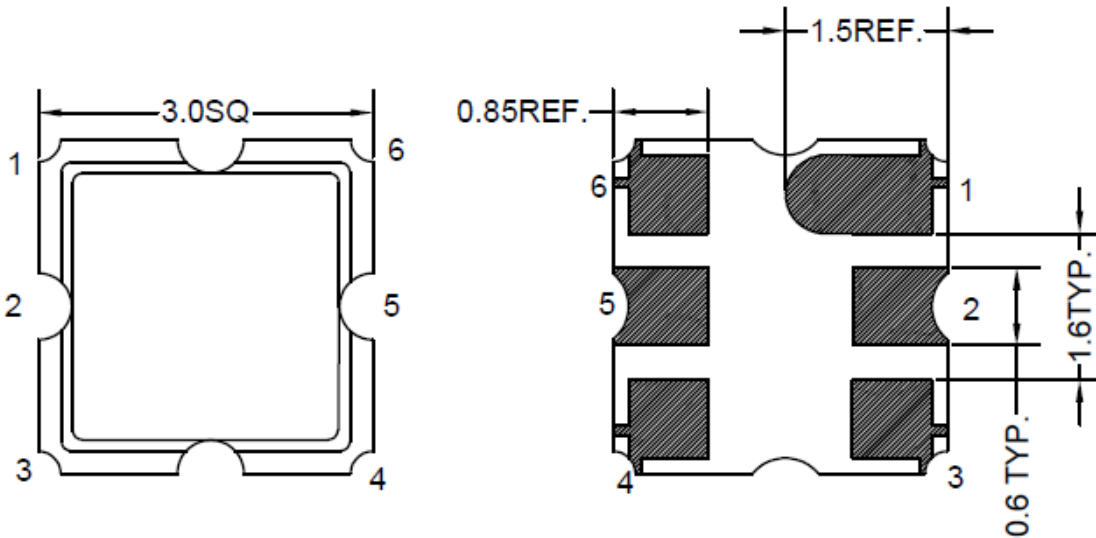


### Typical Applications

IOT  
Cellular  
Telecom  
4G/LTE  
Wireless Communication  
WLAN  
Base Station  
Radar

### Mechanical Drawing & Pin Connections

Drawing No: MD240080-1



PIN	Function
#2	INPUT
#5	OUTPUT
Others	GND

Unit in mm

1mm = 0.0394 inches

Not Specified Tolerance: ±0.2mm



## Specifications

Parameter		Min.	Typical	Max.	Units
Center Frequency	Fc		902.5		MHz
Insertion Loss (890~915 MHz)	IL		2.9	3.5	dB
Amplitude Ripple (890~915 MHz)			0.5	1.5	dB
VSWR (890~915 MHz)			1.5	2.3	
Attenuation (Reference level from 0 dB)					
0 ~ 845	MHz	45	51		dB
925 ~ 935	MHz	5	21		dB
935 ~ 980	MHz	25	28		dB
980 ~ 1200	MHz	50	56		dB
1200 ~ 3000	MHz	25	28		dB
Input Power Level			10		dBm
DC Voltage			0		V
Operating Temperature Range		-25		+75	°C
Storage Temperature Range		-40		+85	°C
Source impedance (single ended)			50		Ω
Load impedance (single ended)			50		Ω

Note: No matching network required for operation at 50 Ω