



Features and Benefits

Center frequency: 902.5MHz
I.L: 3.3dB Max.
Operating temperature: -25°C to +75°C
Size: 3x3x1.4mm
Package type: Surface Mount

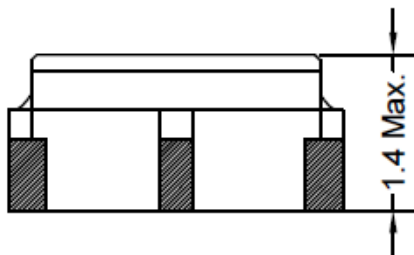
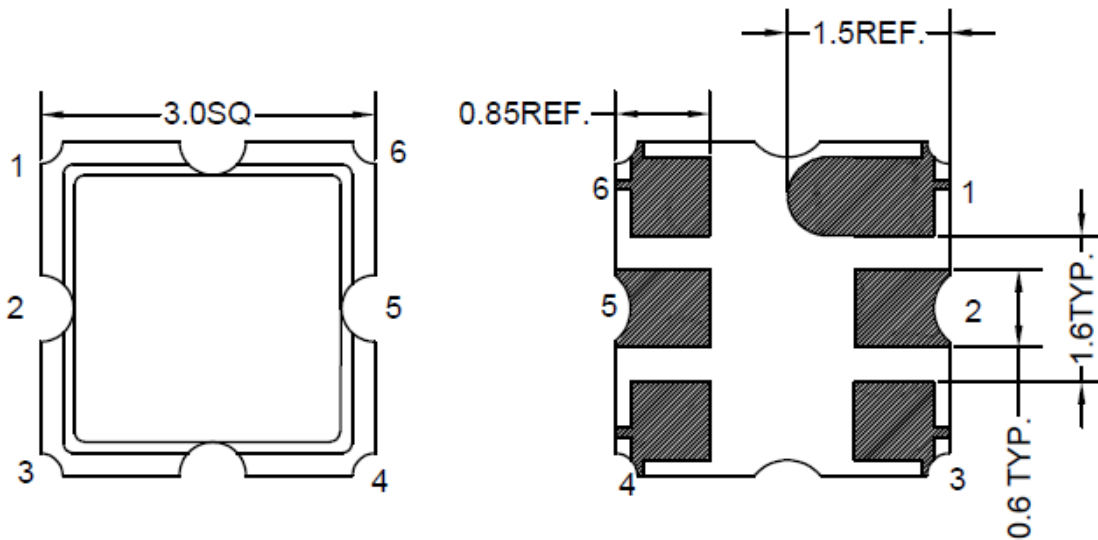


Typical Applications

IOT
Cellular
Telecom
4G/LTE
Wireless Communication
WLAN
Base Station
Radar

Mechanical Drawing & Pin Connections

Drawing No: MD240080-1



| PIN | Function |
|--------|----------|
| #2 | INPUT |
| #5 | OUTPUT |
| Others | GND |

Unit in mm
1mm = 0.0394 inches
Not Specified Tolerance: ±0.2mm



Specifications

| Parameter | | Min. | Typical | Max. | Units |
|---|-----|------|---------|------|-------|
| Center Frequency | Fc | | 902.5 | | MHz |
| Insertion Loss (890~915 MHz) | IL | | 2.55 | 3.3 | dB |
| Amplitude Ripple (890~915 MHz) | | | 0.6 | 1.3 | dB |
| VSWR (890~915 MHz) | | | 1.6 | 2.2 | |
| Attenuation (Reference level from 0 dB) | | | | | |
| D.C. ~ 845 | MHz | 45 | 54 | | dB |
| 935 ~ 980 | MHz | 10 | 28 | | dB |
| 980 ~ 1200 | MHz | 50 | 55 | | dB |
| 1200 ~ 3000 | MHz | 25 | 30 | | dB |
| Input Power Level | | | 20 | | dBm |
| DC Voltage | | | 3 | | V |
| Operating Temperature Range | | -25 | | +75 | °C |
| Storage Temperature Range | | -40 | | +85 | °C |