



Features and Benefits

Center frequency: 906MHz
I.L: 3.2dB Max.
Operating temperature: -20°C to +70°C
Size: 3x3x1.4mm
Package type: Surface Mount

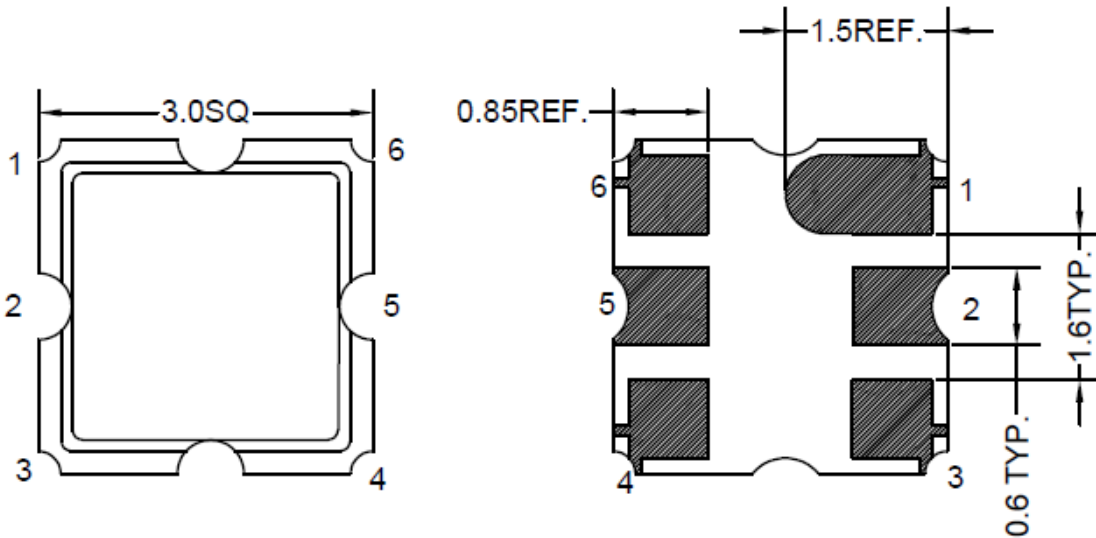


Typical Applications

IOT
Cellular
Telecom
4G/LTE
Wireless Communication
WLAN
Base Station
Radar

Mechanical Drawing & Pin Connections

Drawing No: MD240080-1



PIN	Function
#2	INPUT
#5	OUTPUT
Others	GND

Unit in mm

1mm = 0.0394 inches

Not Specified Tolerance: ±0.2mm



Specifications

Parameter		Min.	Typical	Max.	Units
Center Frequency	Fc		906		MHz
Insertion Loss (888~924 MHz)	IL		2.5	3.2	dB
Amplitude Ripper (888~924 MHz)			1.3	1.7	dB
Return Loss (888~924 MHz)		6.5	8.2		dB
Attenuation (Reference level from 0 dB)					
D.C. ~ 810	MHz	15	20		dB
810 ~ 850	MHz	20	23.5		dB
942 ~ 960	MHz	15	32		dB
960 ~ 1030	MHz	20	23.7		dB
1030 ~ 2200	MHz	20	23.5		dB
Input Power Level			10		dBm
DC Voltage			3		V
Operating Temperature Range		-20		+70	°C
Storage Temperature Range		-30		+85	°C