



Features and Benefits

Center frequency: 906MHz
I.L: 4.1dB Max.
Operating temperature: -20°C to +70°C
Size: 3x3x1.4mm
Package type: Surface Mount

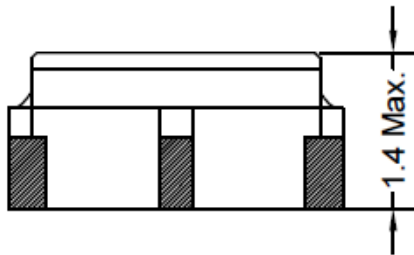
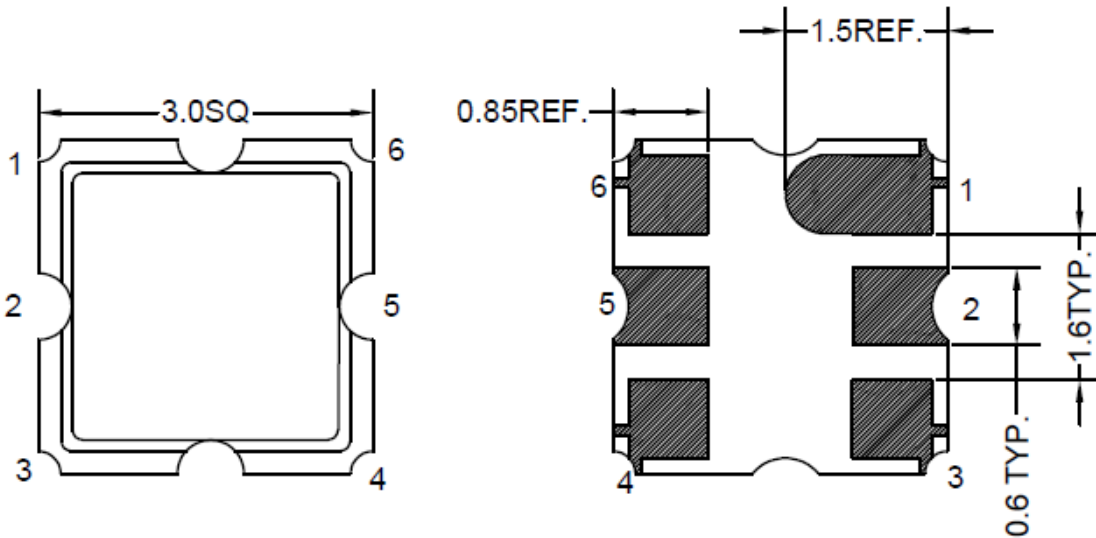


Typical Applications

IOT
Cellular
Telecom
4G/LTE
Wireless Communication
WLAN
Base Station
Radar

Mechanical Drawing & Pin Connections

Drawing No: MD240080-1



PIN	Function
#2	INPUT
#5	OUTPUT
Others	GND

Unit in mm
1mm = 0.0394 inches
Not Specified Tolerance: ±0.2mm



Specifications

Parameter		Min.	Typical	Max.	Units
Center Frequency	Fc		906		MHz
Insertion Loss (888~924 MHz)	IL		2.3	4.1	dB
Amplitude Ripper (888~924 MHz)			0.8	2.4	dB
Return Loss (888~924 MHz)		7	11.3		dB
Attenuation (Reference level from 0 dB)					
D.C. ~ 810	MHz	40	64		dB
810 ~ 850	MHz	20	51		dB
942 ~ 960	MHz	15	25.5		dB
960 ~ 1030	MHz	33	41		dB
1030 ~ 1400	MHz	39	59		dB
1400 ~ 2200	MHz	28	44		dB
Input Power Level			10		dBm
DC Voltage			3		V
Operating Temperature Range		-20		+70	°C
Storage Temperature Range		-40		+85	°C