



Features and Benefits

Center frequency: 916.45MHz
I.L: 3.5dB Max.
Operating temperature: -30°C to +85°C
Size: 3x3x1.4mm
Package type: Surface Mount

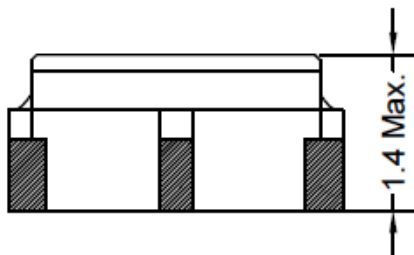
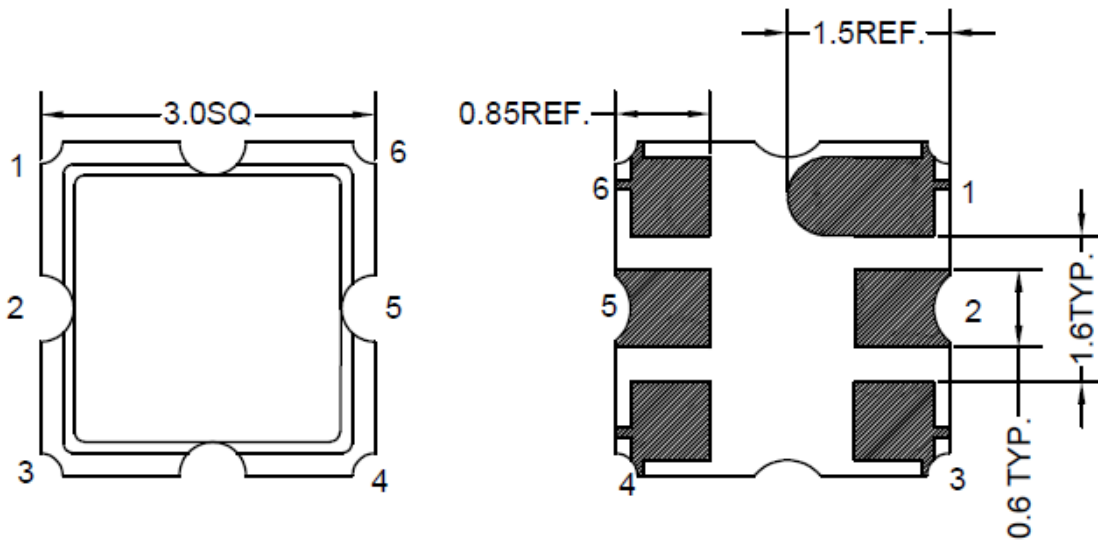


Typical Applications

IOT
Cellular
Telecom
4G/LTE
Wireless Communication
WLAN
Base Station
Radar

Mechanical Drawing & Pin Connections

Drawing No: MD240080-1



PIN	Function
#2	INPUT
#5	OUTPUT
Others	GND

Unit in mm
1mm = 0.0394 inches
Not Specified Tolerance: ±0.2mm



Specifications

Parameter		Min.	Typical	Max.	Units
Center Frequency	Fc		916.45		MHz
Insertion Loss (914.45~918.45 MHz)	IL		2.7	3.5	dB
Amplitude Ripper (914.45~918.45 MHz)			0.3	1.0	dB
VSWR (914.45~918.45 MHz)			1.5	2.0	
Attenuation (Reference level from 0 dB)					
D.C. ~ 600	MHz	50	57		dB
600 ~ 840	MHz	40	51		dB
869 ~ 894	MHz	35	46		dB
930 ~ 937	MHz	8	13		dB
970 ~ 1500	MHz	40	47		dB
1500 ~ 3000	MHz	25	32		dB
Input Power Level			20		dBm
DC Voltage			5		V
Operating Temperature Range		-30		+85	°C
Storage Temperature Range		-40		+85	°C
Moisture Sensitivity Level		Level 1(MSL1)			
Source impedance (single ended)			50		Ω
Load impedance (single ended)			50		Ω

Note: No matching network required for operation at 50 Ω