



Features and Benefits

Center frequency: 916MHz
I.L: 3.4dB Max.
Operating temperature: -40°C to +85°C
Size: 3x3x1.4mm
Package type: Surface Mount

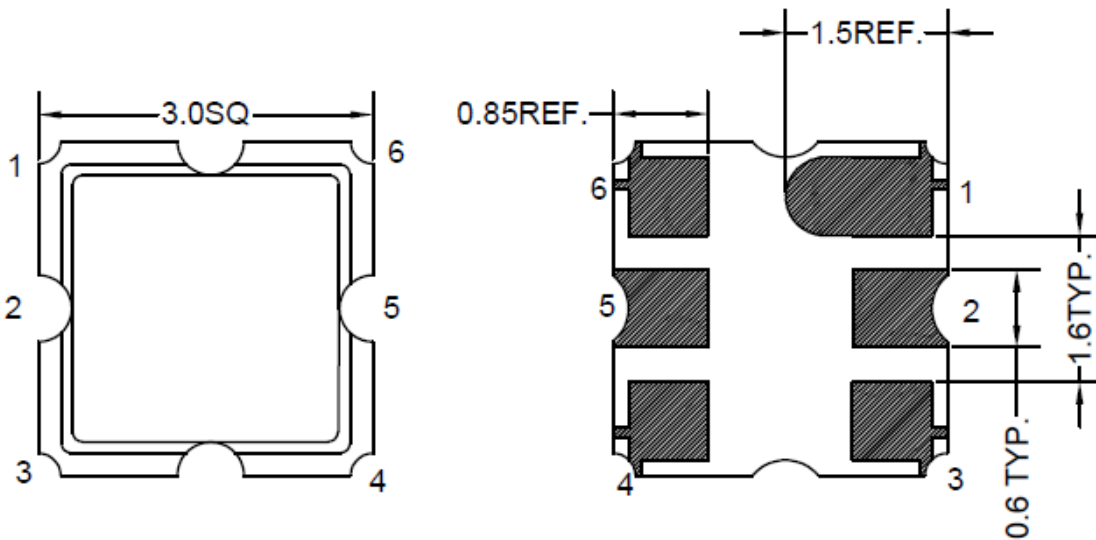


Typical Applications

IOT
Cellular
Telecom
4G/LTE
Wireless Communication
WLAN
Base Station
Radar

Mechanical Drawing & Pin Connections

Drawing No: MD240080-1



PIN	Function
#2	INPUT
#5	OUTPUT
Others	GND

Unit in mm
1mm = 0.0394 inches
Not Specified Tolerance: ±0.2mm



Specifications

Parameter		Min.	Typical	Max.	Units
Center Frequency	Fc		916		MHz
Insertion Loss (914.25~917.75 MHz)	IL		2.4	3.4	dB
Amplitude Ripper (914.25~917.75 MHz)			0.5	1.6	dB
Attenuation (Reference level from 0 dB)					
10 ~ 897	MHz	36	43		dB
897 ~ 903	MHz	24	36		dB
930 ~ 937	MHz	26	44		dB
937 ~ 1200	MHz	42	66		dB
Temperature Coefficient of Frequency			-36		ppm/°C
Input Power Level			10		dBm
DC Voltage			3		V
Operating Temperature Range		-40		+85	°C
Storage Temperature Range		-40		+85	°C