



Features and Benefits

Center frequency: 925.2MHz
I.L: 3.5dB Max.
Operating temperature: -40°C to +85°C
Size: 3x3x1.4mm
Package type: Surface Mount

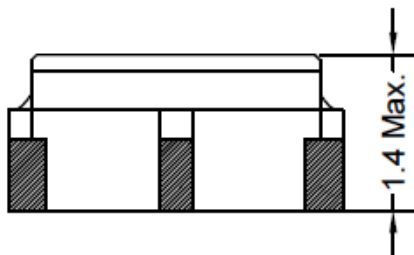
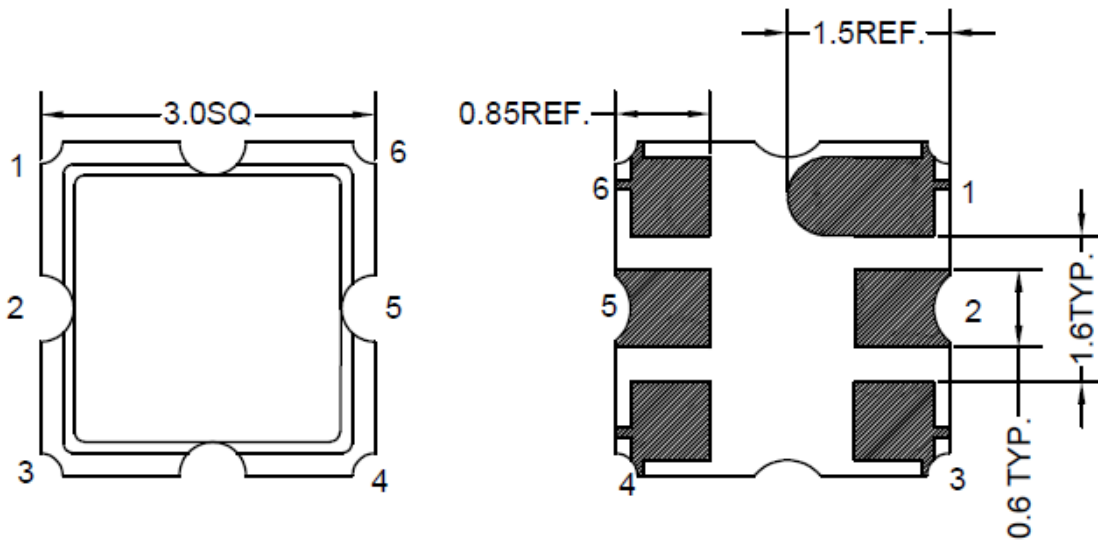


Typical Applications

IOT
Cellular
Telecom
4G/LTE
Wireless Communication
WLAN
Base Station
Radar

Mechanical Drawing & Pin Connections

Drawing No: MD240080-1



PIN	Function
#2	INPUT
#5	OUTPUT
Others	GND

Unit in mm
1mm = 0.0394 inches
Not Specified Tolerance: ±0.2mm



Specifications

Parameter		Min.	Typical	Max.	Units
Center Frequency	Fc		925.2		MHz
Insertion Loss (922.3~928.1 MHz)	IL		2.5	3.5	dB
Amplitude Ripple (922.3~928.1 MHz)			0.3	1.5	dB
VSWR (922.3~928.1 MHz)			1.3	2.0	
Attenuation (Reference level from 0 dB)					
10 ~ 815	MHz	38	42		dB
815 ~ 875	MHz	38	40		dB
875 ~ 905	MHz	35	42		dB
905 ~ 915	MHz	8	19		dB
945 ~ 950	MHz	35	70		dB
950 ~ 1150	MHz	48	51		dB
1150 ~ 1856	MHz	32	37		dB
1856 ~ 2500	MHz	32	38		dB
Input Power Level			18		dBm
DC Voltage			6		V
Operating Temperature Range		-40		+85	°C
Storage Temperature Range		-40		+85	°C
Source impedance (single ended)			50		Ω
Load impedance (single ended)			50		Ω
Moisture Sensitivity Level		Level 1(MSL1)			