



Features and Benefits

Center frequency: 960MHz
I.L: 4dB Max.
Operating temperature: -20°C to +70°C
Size: 3x3x1.4mm
Package type: Surface Mount

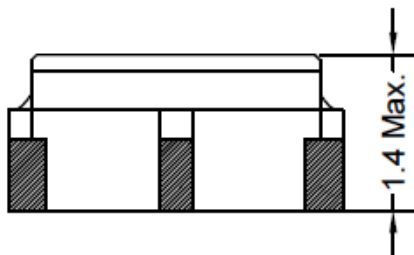
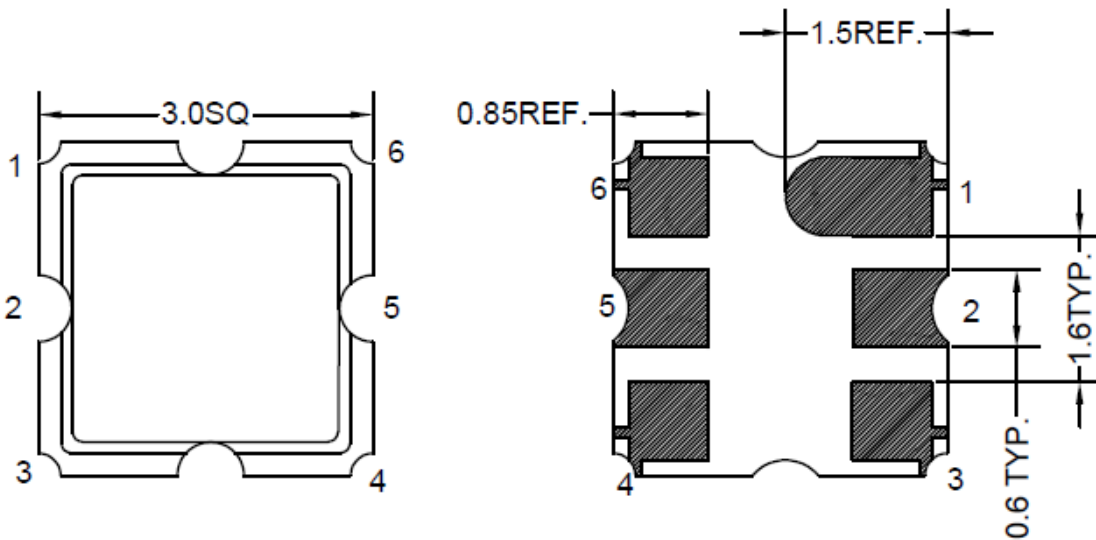


Typical Applications

IOT
Cellular
Telecom
4G/LTE
Wireless Communication
WLAN
Base Station
Radar

Mechanical Drawing & Pin Connections

Drawing No: MD240080-1



PIN	Function
#2	INPUT
#5	OUTPUT
Others	GND

Unit in mm
1mm = 0.0394 inches
Not Specified Tolerance: ±0.2mm



Specifications

Parameter		Min.	Typical	Max.	Units
Center Frequency	Fc		960		MHz
Insertion Loss (942~978 MHz)	IL		2.8	4.0	dB
Amplitude Ripper (942~978 MHz)			1.1	2.3	dB
Return Loss (942~978 MHz)		8.0	14.1		dB
Attenuation (Reference level from 0 dB)					
D.C. ~ 890	MHz	40	53		dB
890 ~ 906	MHz	35	51		dB
906 ~ 924	MHz	30	47		dB
1030 ~ 1045	MHz	28	41		dB
1045 ~ 1055	MHz	35	54		dB
1055 ~ 1500	MHz	39	57		dB
1500 ~ 2200	MHz	30	42.5		dB
Input Power Level			10		dBm
DC Voltage			3		V
Operating Temperature Range		-20		+70	°C
Storage Temperature Range		-40		+85	°C