



### Features and Benefits

Center frequency: 978MHz  
I.L: 3.5dB Max.  
Operating temperature: -40°C to +85°C  
Size: 3x3x1.4mm  
Package type: Surface Mount

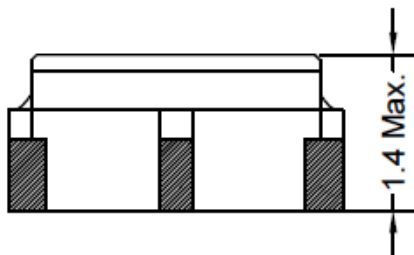
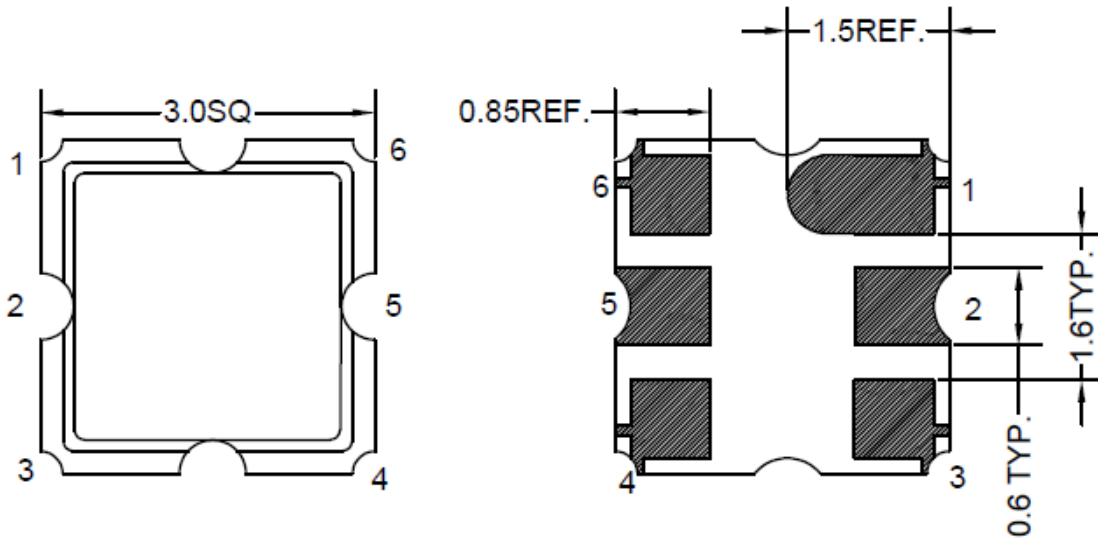


### Typical Applications

IOT  
Cellular  
Telecom  
4G/LTE  
Wireless Communication  
WLAN  
Base Station  
Radar

### Mechanical Drawing & Pin Connections

Drawing No: MD240080-1



PIN	Function
#2	INPUT
#5	OUTPUT
Others	GND

Unit in mm  
1mm = 0.0394 inches  
Not Specified Tolerance: ±0.2mm



### Specifications

Parameter		Min.	Typical	Max.	Units
Center Frequency	Fc		978		MHz
Insertion Loss (975.5~980.5 MHz)	IL		3.0	3.5	dB
Amplitude Ripple (975.5~980.5 MHz)			0.1	1.2	dB
VSWR (975.5~980.5 MHz)			1.6	2.4	
Attenuation (Reference level from 0 dB)					
D.C. ~ 950	MHz	40	58		dB
1000 ~ 1020	MHz	30	38		dB
1020 ~ 1500	MHz	40	56		dB
1500 ~ 2000	MHz	30	50		dB
Input Power Level			20		dBm
DC Voltage			3		V
Operating Temperature Range		-40		+85	°C
Storage Temperature Range		-40		+85	°C