



Features and Benefits

Center frequency: 978MHz
I.L: 3.5dB Max.
Operating temperature: -40°C to +85°C
Size: 3x3x1.4mm
Package type: Surface Mount

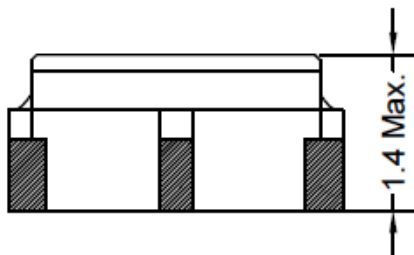
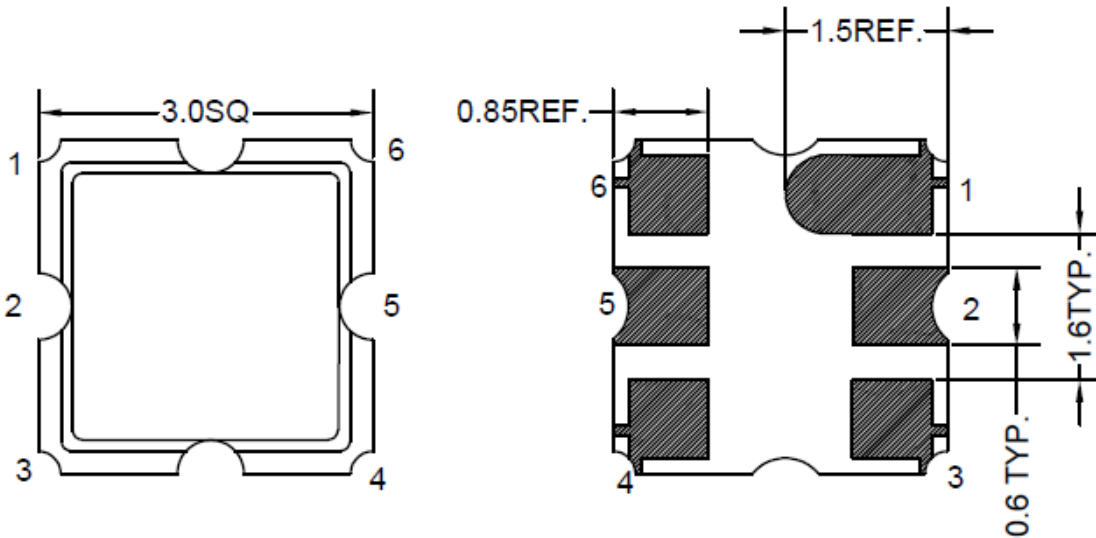


Typical Applications

IOT
Cellular
Telecom
4G/LTE
Wireless Communication
WLAN
Base Station
Radar

Mechanical Drawing & Pin Connections

Drawing No: MD240080-1



PIN	Function
#2	INPUT
#5	OUTPUT
Others	GND

Unit in mm

1mm = 0.0394 inches

Not Specified Tolerance: ±0.2mm



Specifications

Parameter		Min.	Typical	Max.	Units
Center Frequency	Fc		978		MHz
Insertion Loss (975.5~980.5 MHz)	IL		3.2	3.5	dB
Amplitude Ripple (975.5~980.5 MHz)			0.5	1.2	dB
VSWR (975.5~980.5 MHz)			2.0	2.4	
Attenuation (Reference level from 0 dB)					
D.C. ~ 950	MHz	40	55		dB
987.5	MHz (at 25°C only)	12	16		dB
1000 ~ 1020	MHz	30	40		dB
1020 ~ 1500	MHz	40	54		dB
1500 ~ 2000	MHz	30	44		dB
Temperature Coefficient of Frequency			-36		ppm/K
Input Power Level			20		dBm
DC Voltage			3		V
Operating Temperature Range		-40		+85	°C
Storage Temperature Range		-40		+85	°C