



Features and Benefits

Center frequency: 978MHz
I.L: 3.5dB Max.
Operating temperature: -40°C to +85°C
Size: 3x3x1.4mm
Package type: Surface Mount

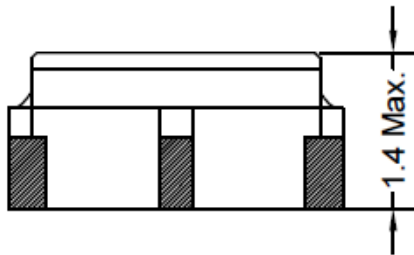
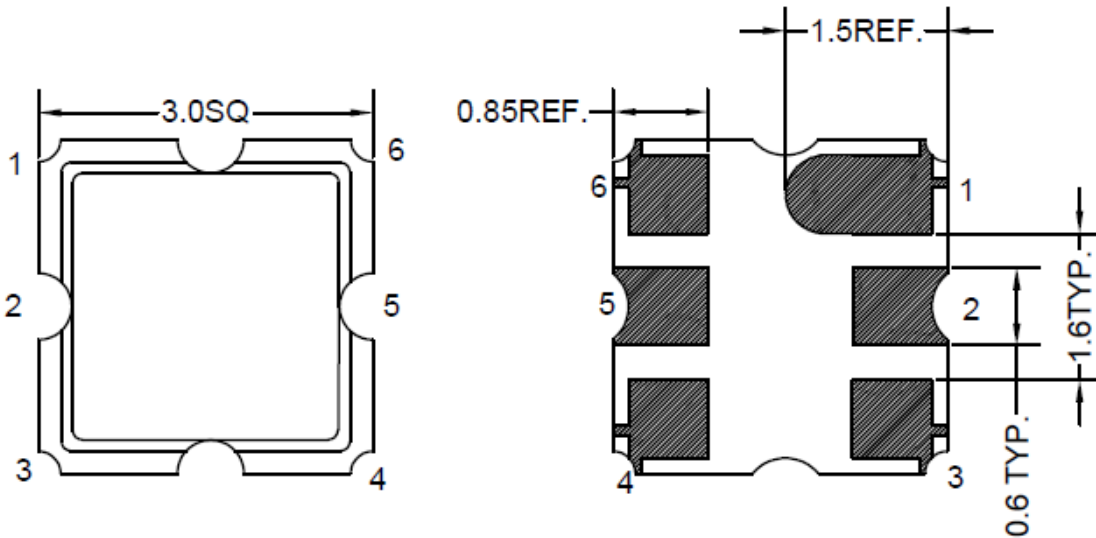


Typical Applications

IOT
Cellular
Telecom
4G/LTE
Wireless Communication
WLAN
Base Station
Radar

Mechanical Drawing & Pin Connections

Drawing No: MD240080-1



PIN	Function
#2	INPUT
#5	OUTPUT
Others	GND

Unit in mm

1mm = 0.0394 inches

Not Specified Tolerance: ±0.2mm



Specifications

Parameter		Min.	Typical	Max.	Units
Center Frequency	Fc		978		MHz
Insertion Loss (967~989 MHz)	IL		2.2	3.5	dB
Amplitude Variation (967~989 MHz)			1.2	2.5	dB
Amplitude Variation over 3MHz			0.7	1.3	dB
VSWR (967~989 MHz)			1.75	2.4	
Group Delay Variation over 3MHz			20	25	ns
Attenuation (Reference level from 0 dB)					
D.C. ~ 949	MHz	30	36		dB
949 ~ 953	MHz	15	30		dB
1003 ~ 1007	MHz	15	50		dB
1007 ~ 2000	MHz	30	37		dB
Temperature Coefficient of Frequency			-36		ppm/°C
Input Power Level			10		dBm
DC Voltage			3		V
Operating Temperature Range		-40		+85	°C
Storage Temperature Range		-40		+85	°C
Source impedance (single ended)			50		Ω
Load impedance (single ended)			50		Ω