



Features and Benefits

Center frequency: 980MHz
I.L: 3.8dB Max.
Operating temperature: -40°C to +85°C
Size: 3x3x1.4mm
Package type: Surface Mount

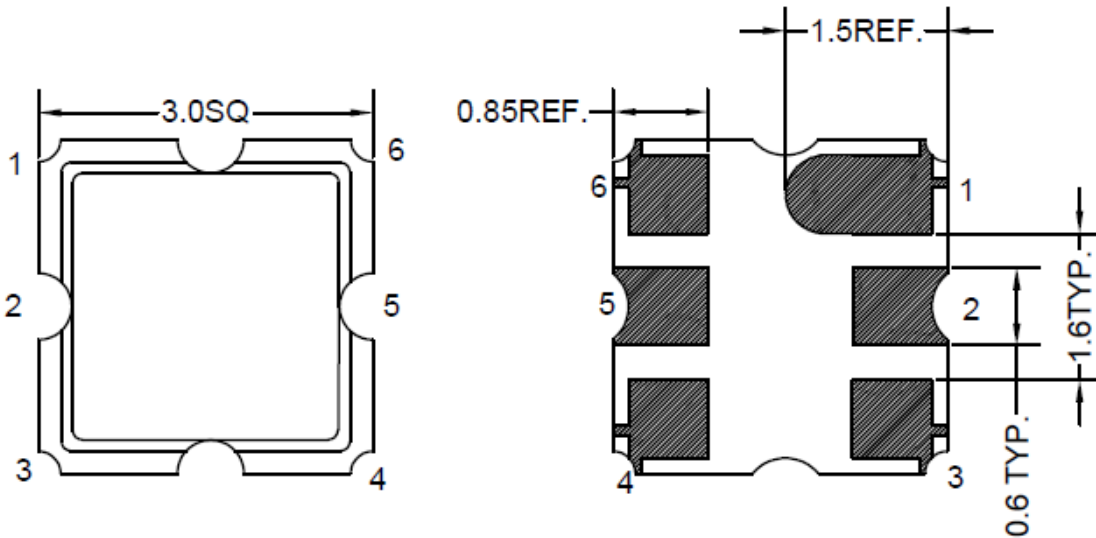


Typical Applications

IOT
Cellular
Telecom
4G/LTE
Wireless Communication
WLAN
Base Station
Radar

Mechanical Drawing & Pin Connections

Drawing No: MD240080-1



PIN	Function
#2	INPUT
#5	OUTPUT
Others	GND

Unit in mm
1mm = 0.0394 inches
Not Specified Tolerance: ±0.2mm



Specifications

Parameter		Min.	Typical	Max.	Units
Center Frequency	Fc		980		MHz
Insertion Loss (960~1000 MHz)	IL		2.6	3.8	dB
Amplitude Ripple (960~1000 MHz)			0.4	2.0	dB
Return Loss (960~1000 MHz)		12	17		dB
Attenuation (Reference level from 0 dB)					
500~800	MHz	35	42		dB
1150~1500	MHz	38	41		dB
Temperature Coefficient of Frequency			-75		ppm/°C
Input Power Level			10		dBm
DC Voltage			3		V
Operating Temperature Range		-40		+85	°C
Storage Temperature Range		-40		+85	°C
Moisture Sensitivity Level		Level 1(MSL1)			