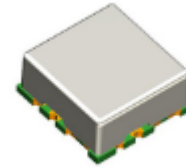




Features and Benefits

Frequency Range:1369-1484MHz
 Supply Voltage:6V
 Current: 27mA Typ.
 Output power: +7dBm Typ.
 Tuning Voltage: 0.5-4.5V
 Phase noise: -112dBc/Hz@10KHz
 Operating temperature: -40°C--+85°C
 Size:12.7x12.7x3.9mm
 Package type: SMD

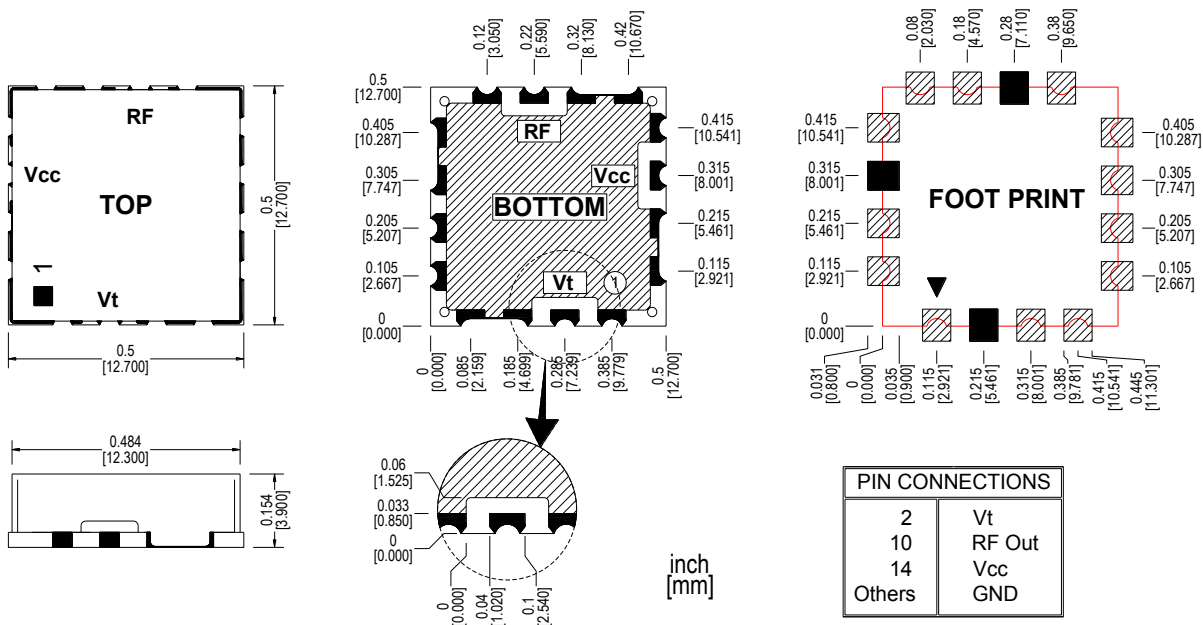


Typical Applications

- SATCOM
- Receiver
- Test Equipment
- Radar
- Point –to-Point
- Radio
- MMDS
- WiMax

Mechanical Drawing & Pin Connections

Drawing No: MD140084-2





Specifications

Parameter		Units	Min.	Typical	Max.
Operating Frequency Range		MHz	1369		1484
Power Supply (Vcc)	Voltage	Vdc		+6	
	Current	mA		27	
Output Power		dBm		+7	
Output Impedance		Ω		50	
Phase Noise @10kHz offset		dBc / Hz		-112	
Phase Noise @100kHz offset		dBc / Hz		-131	
Tuning Voltage (Vt)		V	0.5		4.5
Tuning Voltage Sensitivity (Kv)		MHz / V		40	
2 nd Harmonic Suppression		dBc		-15	
Pushing Figure		MHz / V		0.3	
Pulling Figure		MHz		1	
Input Capacitance		pF		47	
Operating Temperature Range		°C	-40		+85